

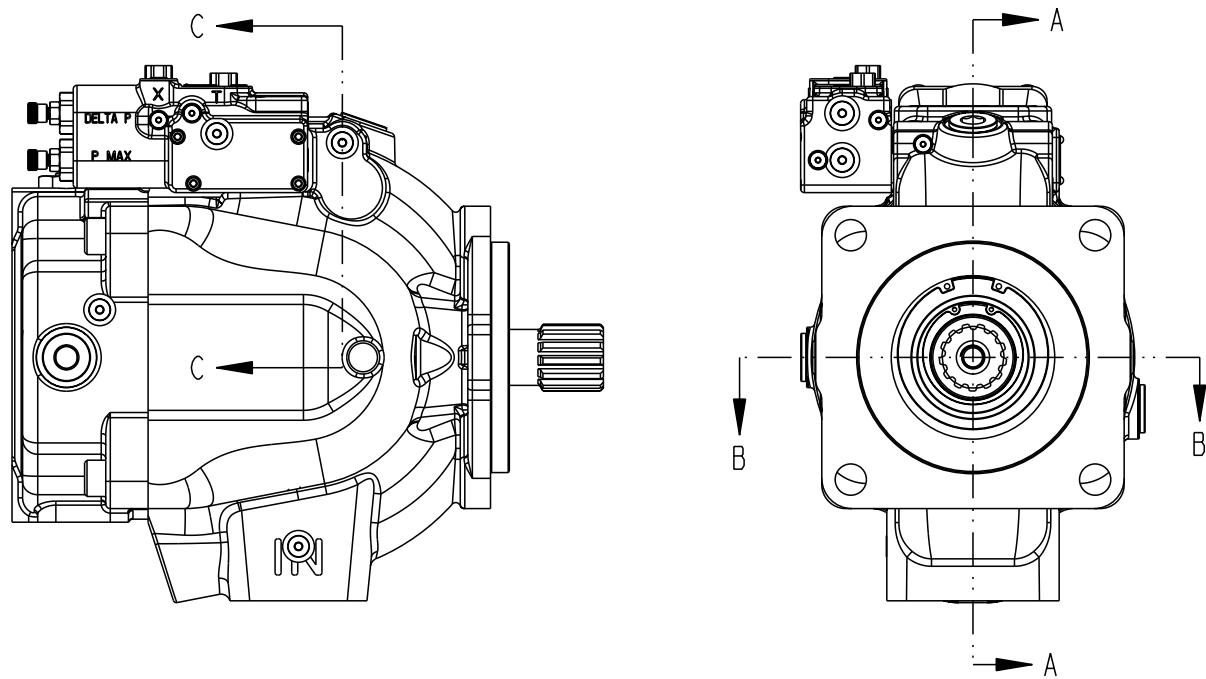
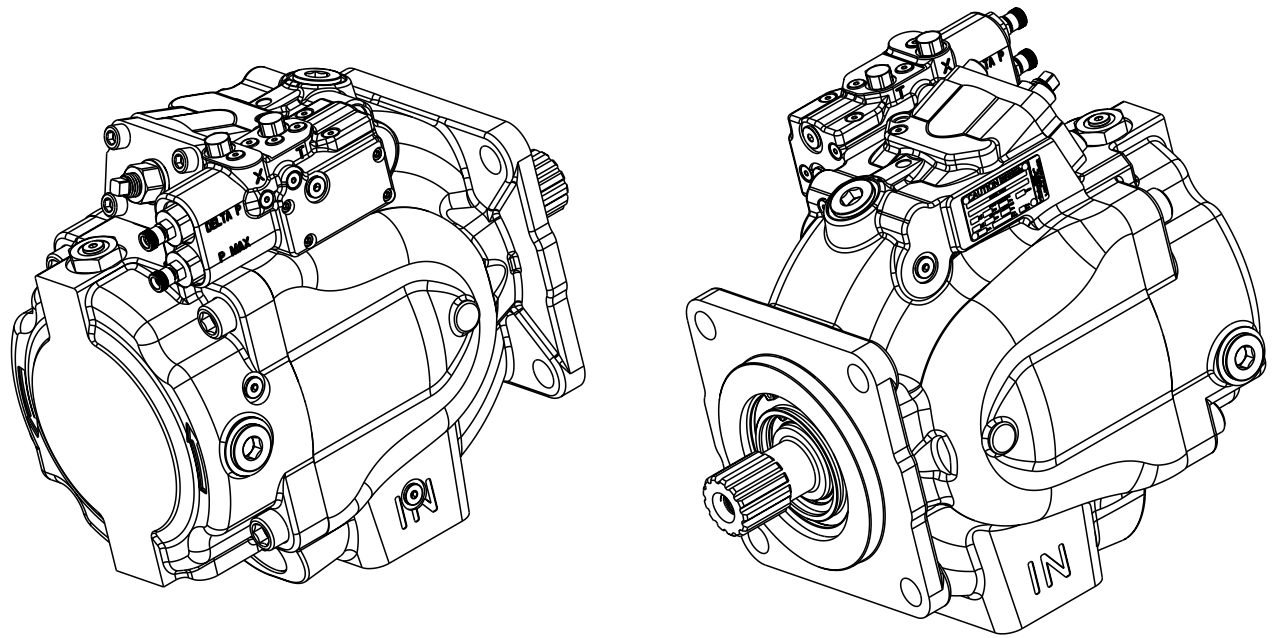
Your One Stop High-Quality Replacement Pump Parts Partner From China



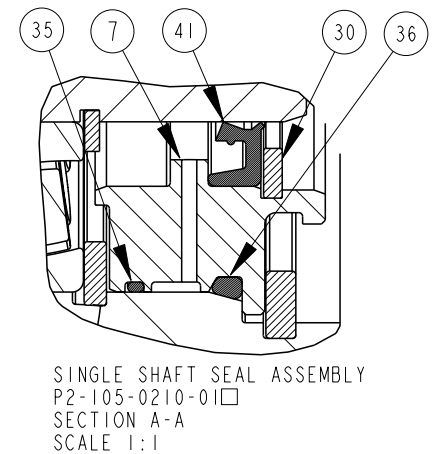
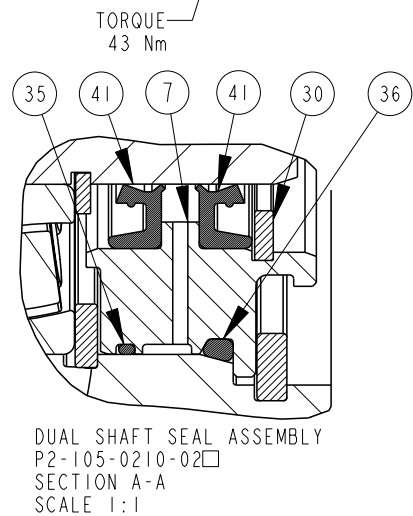
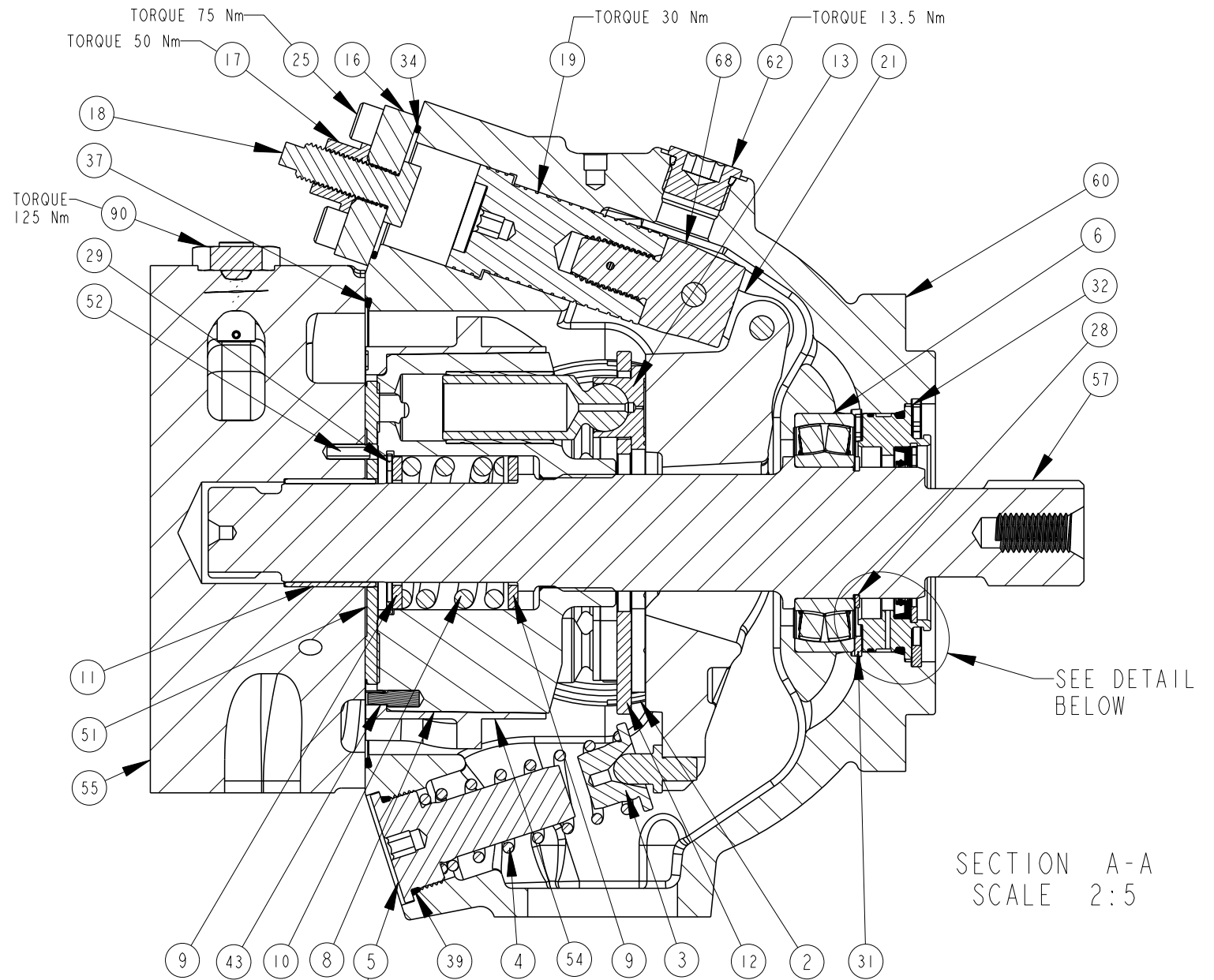
- **High Quality** Replacement Pump Spare Parts
- 100% Interchange With Original Parker
- One Year Warranty, Competitive Price
- Free Returns & Exchanges Without Reason
- Order With "**Super Hydraulics**" , 100% Satisfaction Guarantee
- Parts Model: P3-075, P3-105, P3-145

TITLE	DRAWING NUMBER	REVISION	STATUS	SHEET
SERVICE PARTS P3145 DESIGN SERIES 13	P2-145-0408	A	PR	1 OF 7

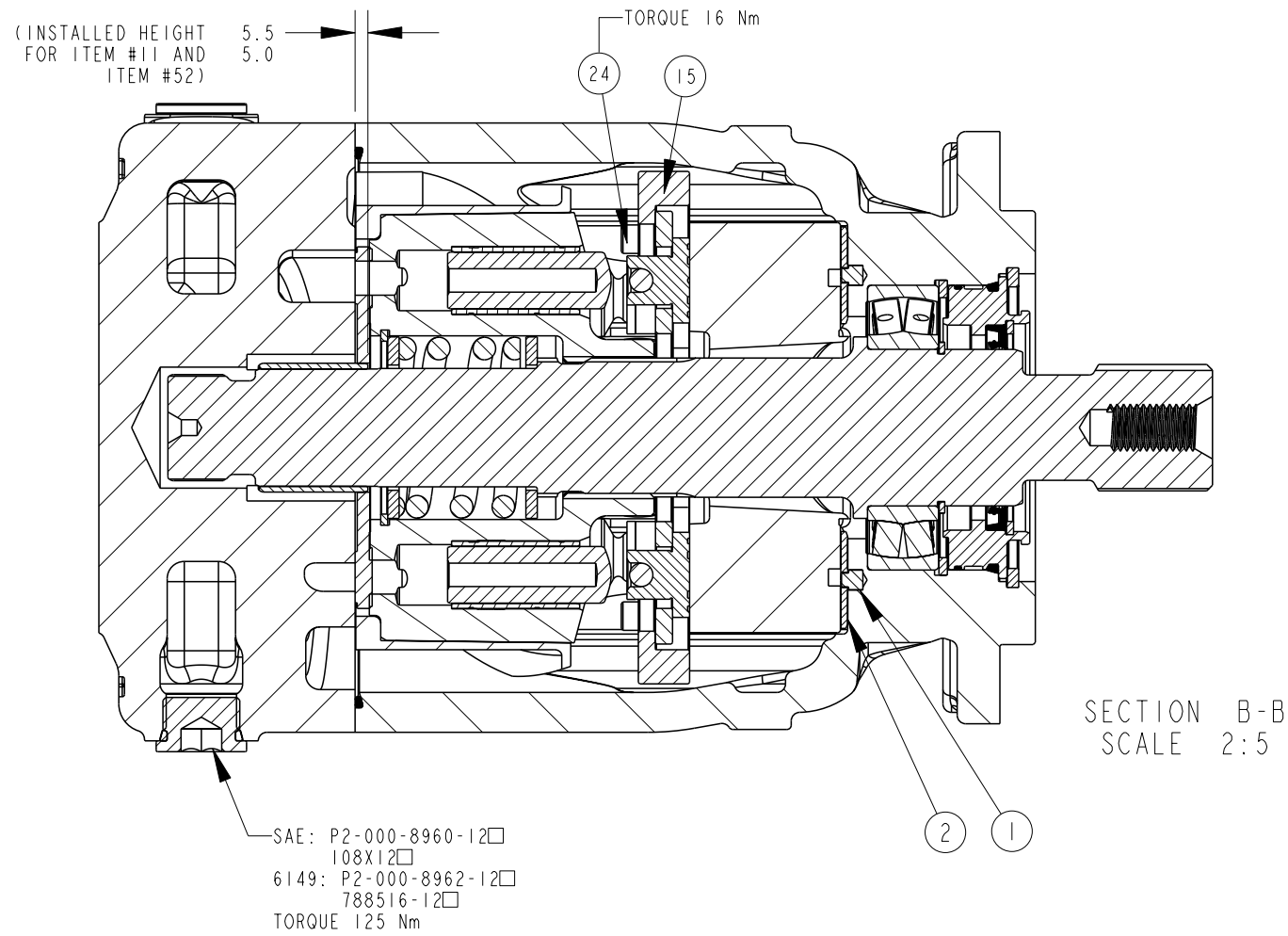
DRAWN BY	DATE	CHANGED BY	DATE	ECN NUMBER
HOEY	22NOV04	HOEY	09MAR05	134418



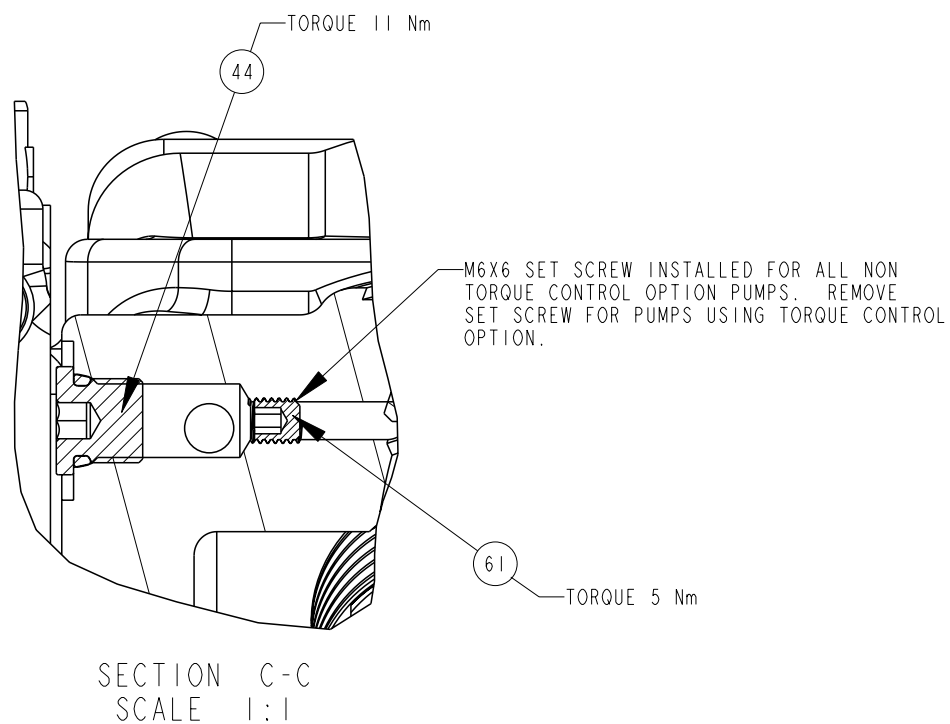
NOTES:
 1 PUMP SHOWN IS A RIGHT HAND (CW) ROTATION PUMP. LEFT HAND (CCW) ROTATION PUMPS
 HAVE OUTLET GAUGE PORT REVERSED.



TITLE	DRAWING NUMBER	REVISION	STATUS	SHEET
SERVICE PARTS P3145 DESIGN SERIES 13	P2-145-0408	A	PR	2 OF 7

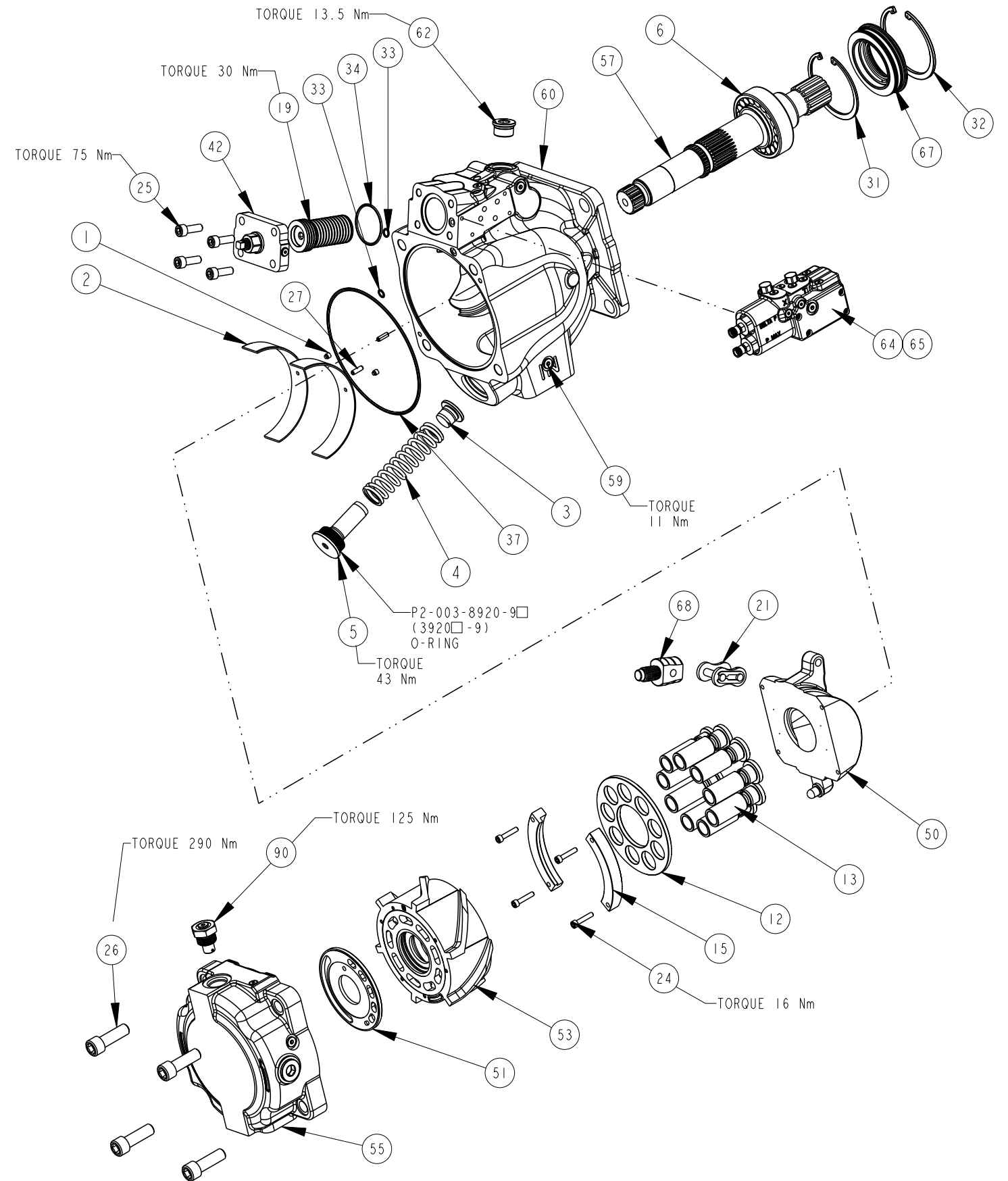


SECTION B-B
SCALE 2:5



SECTION C-C
SCALE 1:1

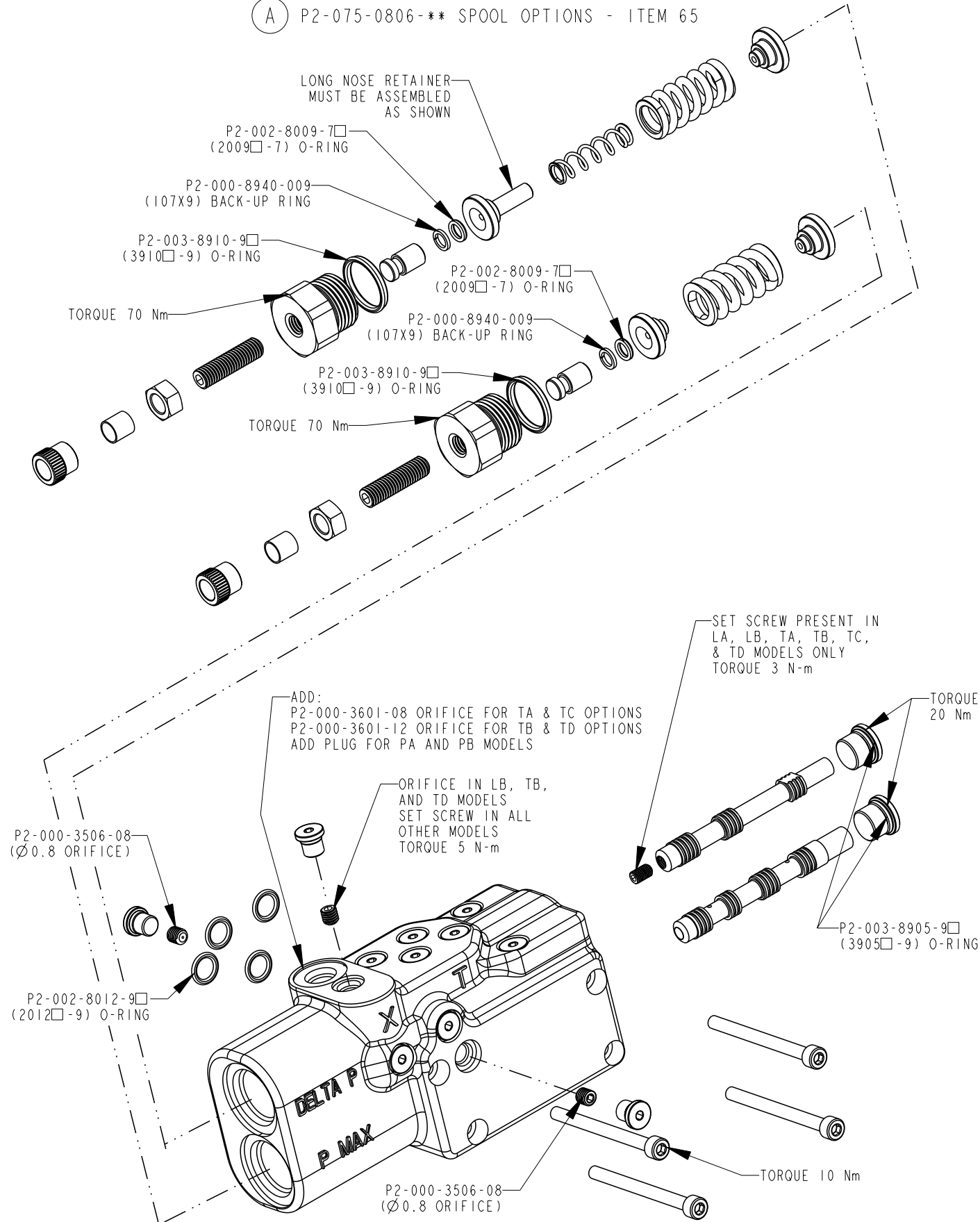
DRAWN BY	DATE	CHANGED BY	DATE	ECN NUMBER
HOEY	22NOV04	HOEY	09MAR05	134418



TITLE	DRAWING NUMBER	REVISION	STATUS	SHEET
SERVICE PARTS P3145 DESIGN SERIES 13	P2-145-0408	A	PR	3 OF 7

COMPENSATOR KITS

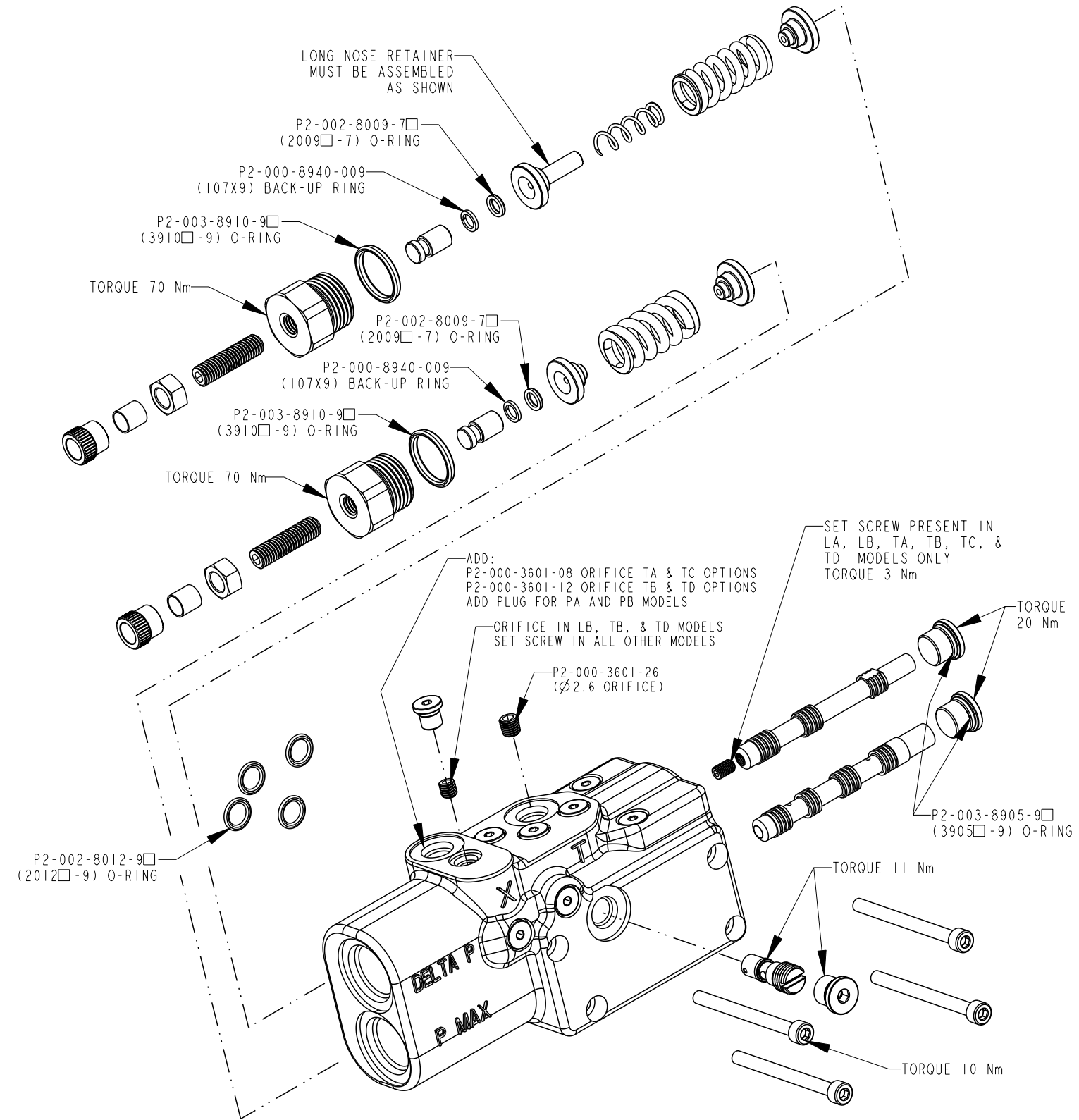
(A) P2-075-0806-** SPOOL OPTIONS - ITEM 65



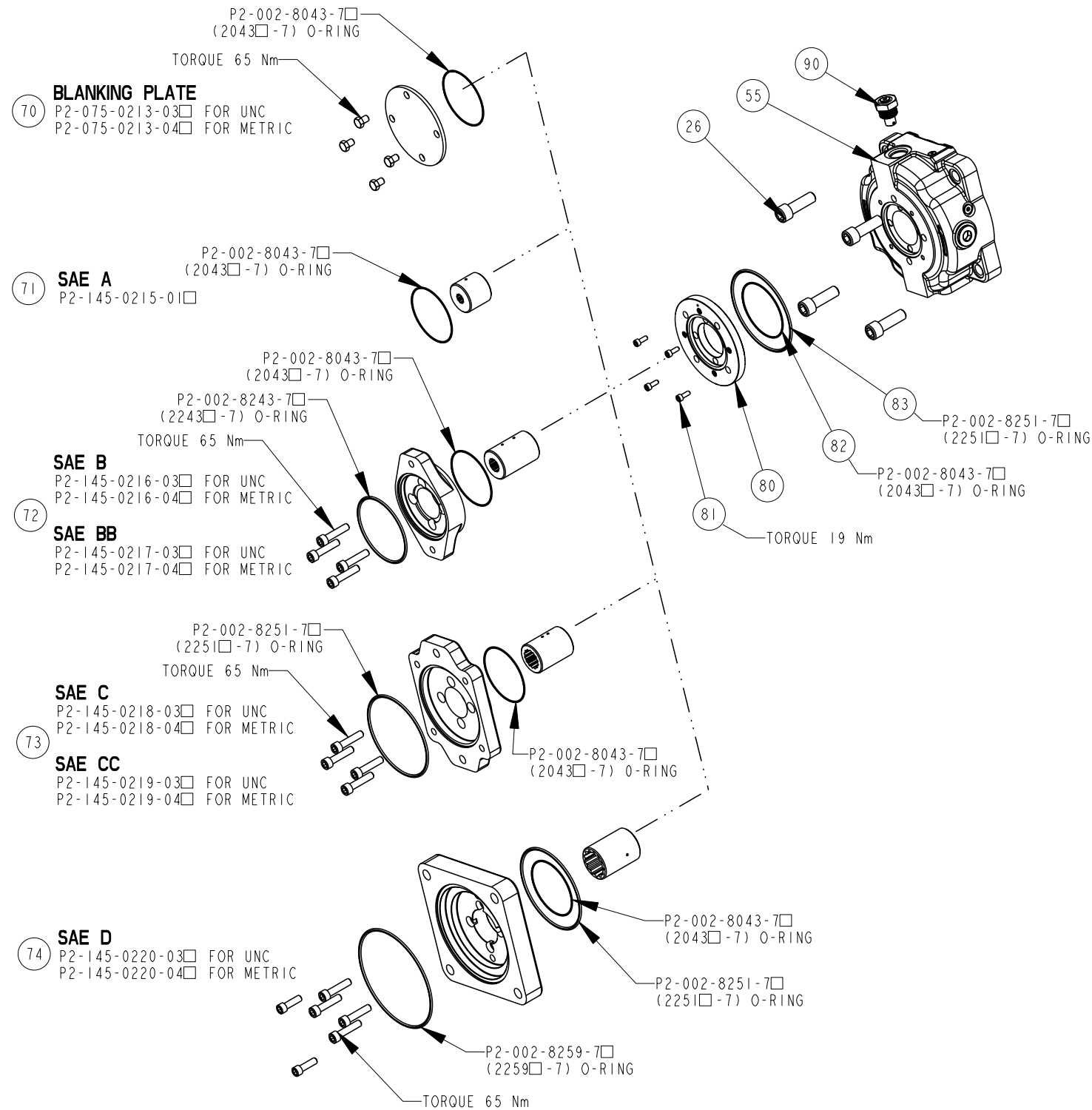
DRAWN BY	DATE	CHANGED BY	DATE	ECN NUMBER
HOEY	22NOV04	HOEY	09MAR05	134418

COMPENSATOR KITS

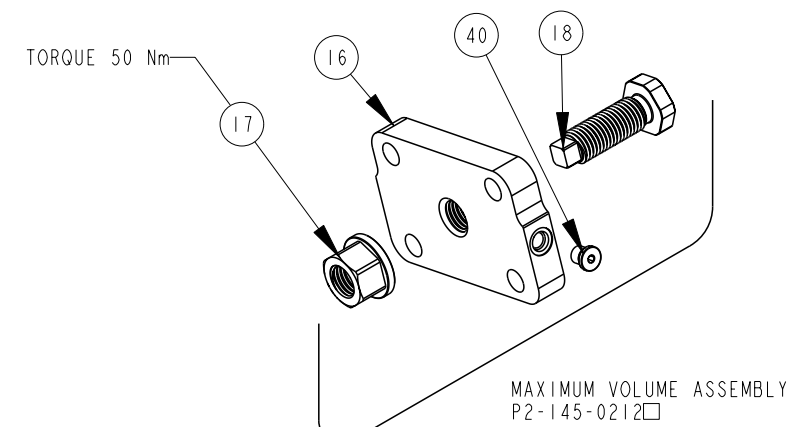
(A) P2-145-0807-** SPOOL OPTIONS - ITEM 65



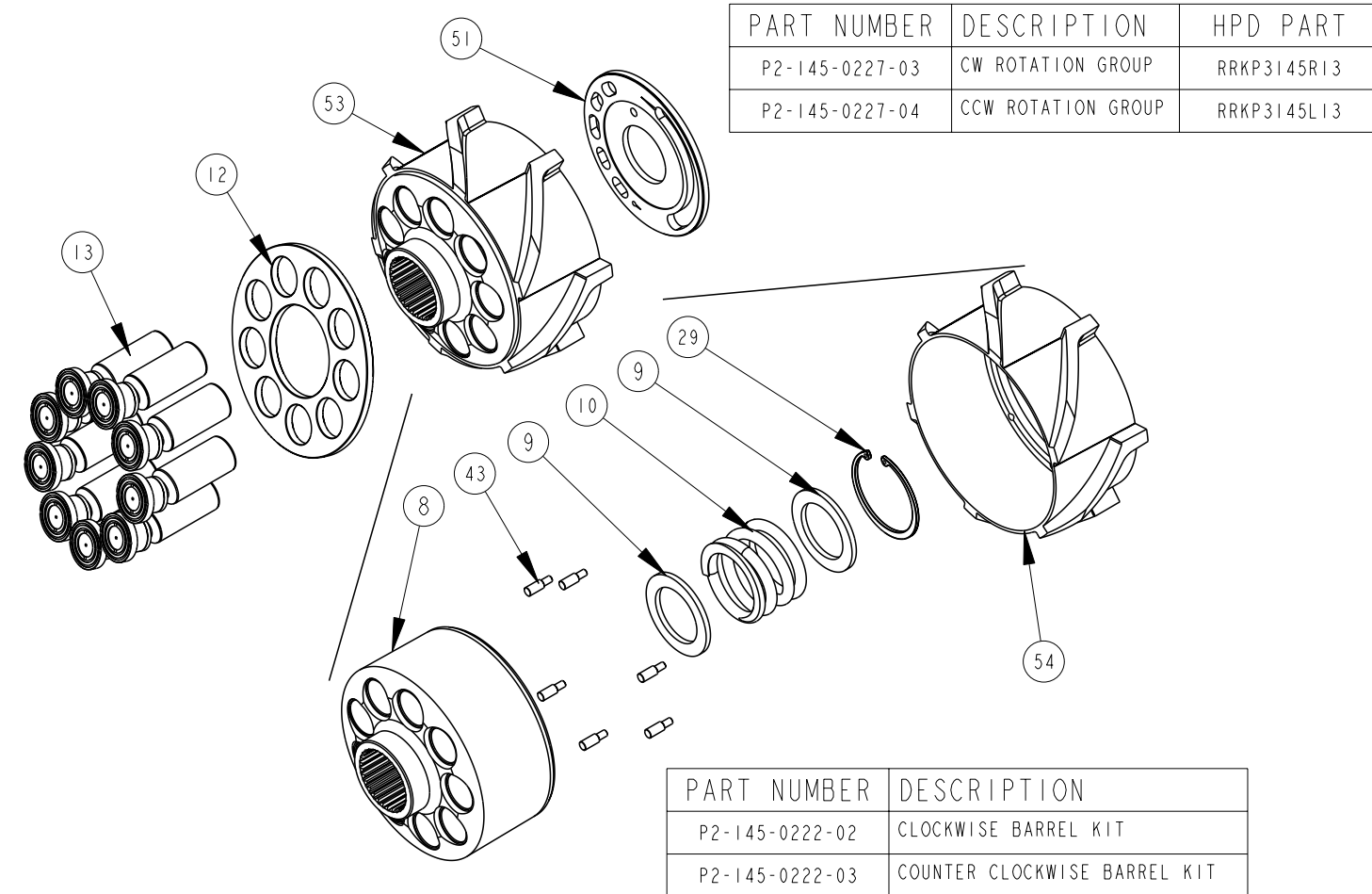
THRU DRIVE KITS



MAX VOLUME ASSEMBLY

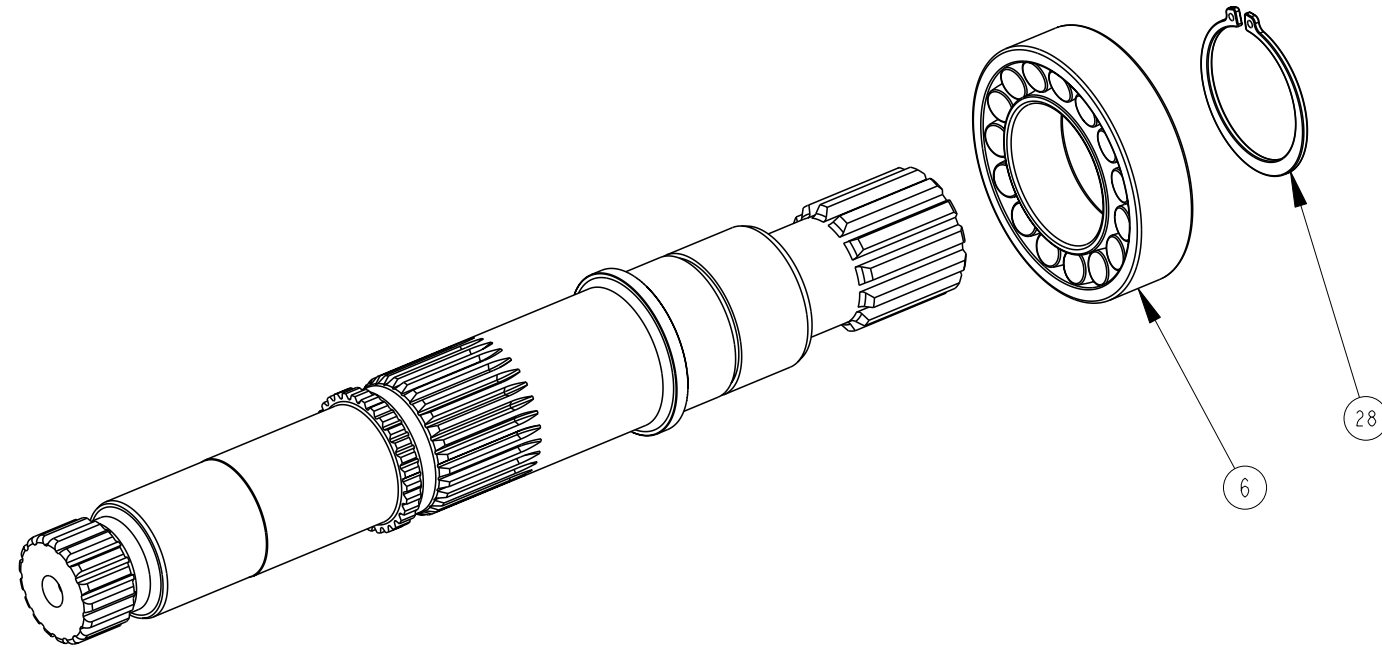


BARREL KIT AND ROTATION GROUP KIT



TITLE	DRAWING NUMBER	REVISION	STATUS	SHEET
SERVICE PARTS P3145 DESIGN SERIES 13	P2-145-0408	A	PR	5 OF 7

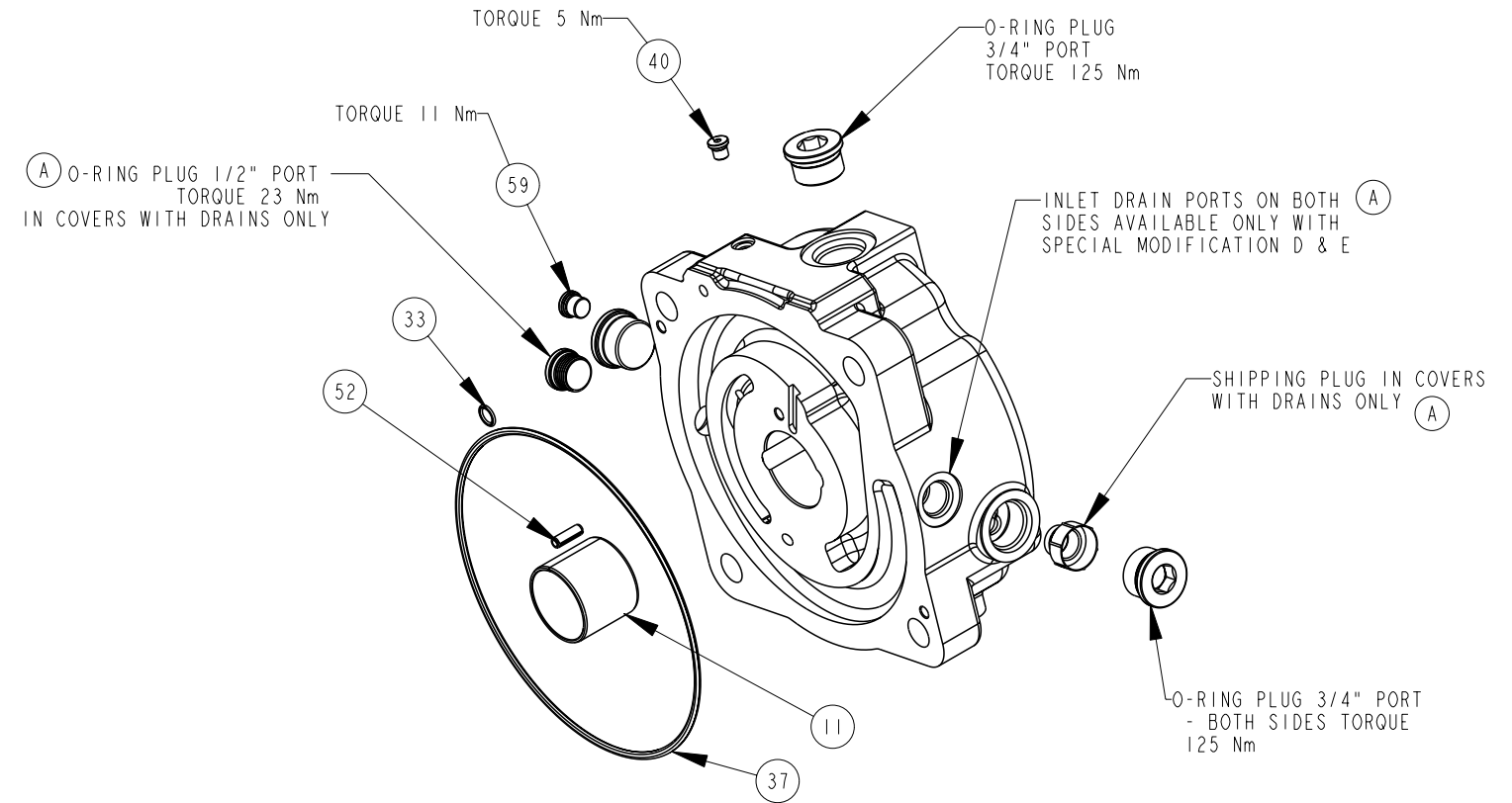
SHAFT ASSEMBLY KITS ITEM 57



SHAFT ONLY	SHAFT ASSEMBLY	DESCRIPTION
P2-145-3725	P2-145-0238-36	C SPLINE THRU
P2-145-3719	P2-145-0238-40	D SPLINE THRU
P2-145-3733	P2-145-0238-46	C KEY THRU
P2-145-3735	P2-145-0238-48	CC KEY THRU
P2-145-3737	P2-145-0238-50	D KEY THRU
P2-145-3720	P2-145-0238-56	C SPLINE THRU NO UNDERCUT
P2-145-3746	P2-145-0238-60	D SPLINE THRU NO UNDERCUT

DRAWN BY	DATE	CHANGED BY	DATE	ECN NUMBER
HOEY	22NOV04	HOEY	09MAR05	134418

COVER ASSEMBLY KITS ITEM 55



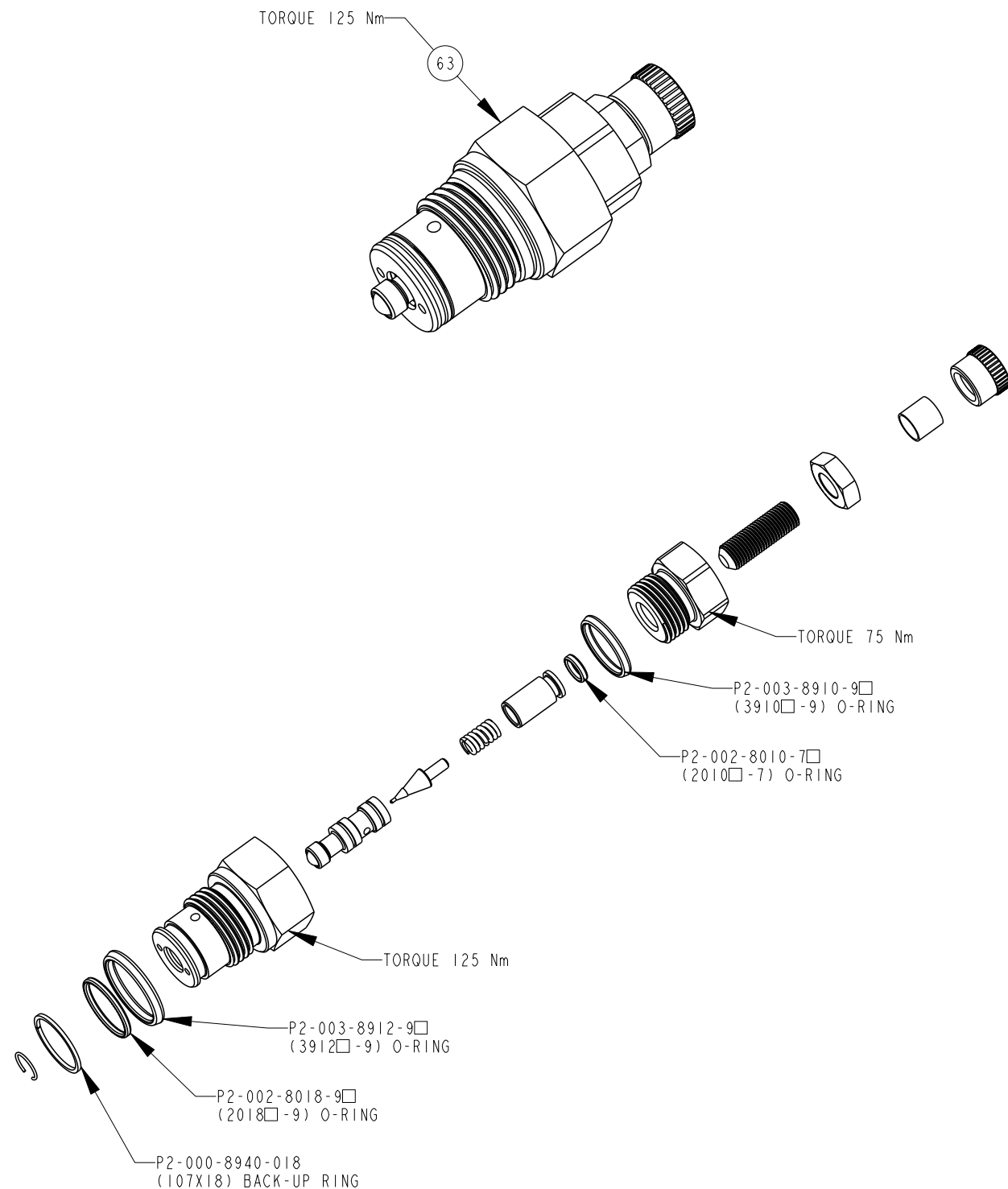
COVER ONLY	COVER ASSEMBLY	DESCRIPTION
P2-145-1015-01	P2-145-0226-09□	SIDE PORT, CCW, UNC
P2-145-1015-02	P2-145-0226-10□	SIDE PORT, CCW, UNC, THRU
P2-145-1015-03	P2-145-0226-11□	SIDE PORT, CCW, METRIC
P2-145-1015-04	P2-145-0226-12□	SIDE PORT, CCW, METRIC, THRU
P2-145-1015-05	P2-145-0226-37□	SIDE PORT, CCW, UNC, DRAINS
P2-145-1015-06	P2-145-0226-38□	SIDE PORT, CCW, UNC, THRU, DRAINS
P2-145-1015-07	P2-145-0226-39□	SIDE PORT, CCW, METRIC, DRAINS
P2-145-1015-08	P2-145-0226-40□	SIDE PORT, CCW, METRIC, THRU, DRAINS
P2-145-1016-01	P2-145-0226-13□	SIDE PORT, CW, UNC
P2-145-1016-02	P2-145-0226-14□	SIDE PORT, CW, UNC, THRU
P2-145-1016-03	P2-145-0226-15□	SIDE PORT, CW, METRIC
P2-145-1016-04	P2-145-0226-16□	SIDE PORT, CW, METRIC, THRU
P2-145-1016-05	P2-145-0226-41□	SIDE PORT, CW, METRIC, THRU, DRAINS
P2-145-1016-06	P2-145-0226-42□	SIDE PORT, CW, UNC, THRU, DRAINS
P2-145-1016-07	P2-145-0226-43□	SIDE PORT, CW, METRIC, THRU, DRAINS
P2-145-1016-08	P2-145-0226-44□	SIDE PORT, CW, METRIC, THRU, DRAINS

TITLE	DRAWING NUMBER	REVISION	STATUS	SHEET
SERVICE PARTS P3145 DESIGN SERIES 13	P2-145-0408	A	PR	6 OF 7

DRAWN BY	DATE	CHANGED BY	DATE	ECN NUMBER
HOEY	22NOV04	HOEY	09MAR05	134418

TORQUE CONTROL CARTRIDGE

P2-000-0803 □ - ITEM 63



ASSEMBLY, DIS-ASSEMBLY AND REPAIR NOTES

DISASSEMBLY STEPS FOR ENTIRE PUMP

1. REMOVE COVER SCREWS AND COVER
2. REMOVE IMPELLER SCREWS AND IMPELLER
3. DE-STROKE PUMP TO MINIMUM ANGLE WITH MAX VOLUME SCREW
4. REMOVE FIXED CLEARANCE HOLD DOWN SCREWS AND HOLD DOWN PARTS
5. REMOVE ROTATING GROUP (BARREL, SLIPPER RETAINER AND PISTONS)
6. REMOVE SHAFT SEAL CARRIER
7. REMOVE SHAFT
8. REMOVE BIAS SPRING PLUG, SPRING AND RETAINER
9. REMOVE MAX. VOLUME ASSY
10. REMOVE SERVO PISTON
11. REMOVE SWASHPLATE ASSEMBLY

SHAFT SEAL REPLACEMENT

1. REMOVE SEAL CARRIER ONLY
2. REMOVE OLD SEAL
3. INSPECT SHAFT
4. IF SHAFT IS WORN INSTALL NEW SEAL IN INNER LOCATION FOR SINGLE SEAL APPLICATIONS (SEE SHEET 1). REPLACE SHAFT FOR DUAL SEAL APPLICATIONS

