

## Your One Stop High-Quality Replacement Pump Parts Partner From China



- **High Quality** Replacement Pump Parts
- 100% Interchange With Original Rexroth
- One Year Warranty, Competitive Price
- Free Returns & Exchanges Without Reason
- Shop With "**Super Hydraulics**", 100% Satisfaction Guarantee.
- Parts Model: [A4VSO40](#) , [A4VSO71](#) , [A4VSO125](#) , [A4VSO180](#) and [A4VSO250](#) , [A4VSO355](#).

## Spare parts list

Bosch Rexroth AG  
Service Hydraulics  
An den Kelterwiesen 14  
72160 Horb  
Germany  
+49 (0)7451/92-1207

Part No.: R902408286  
Drawing no.: R910985075  
Designation: A AA4VSO 250 DP /30R-PKD63N00

Status of version: 5/2017

**Date: 13.07.2018**

**Page: 1**

Pos.	Part No.	Designation	Quantity	
1	R910976833	G AA4VSO 250 OV /30R-PKD63N00	1 ST	L
2	R910976941	R A4VS 250/355 DP /30R	1 ST	L
3	R910984004	ADAPTER	1 ST	L
61	R902805709	SHIPPING PROTECTION	1 ST	
62	R902603193	SEAL SCREW	1 ST	
63	R902495195	PROTECTIVE PLUG	1 ST	
81	R902602014	SEAL SCREW	1 ST	

L = Assembly group D = Sealing element

### Security notice

Assembly, commissioning and operation, disassembly, service (including maintenance and repair) require basic mechanical/electrical/hydraulic/pneumatic knowledge, as well as knowledge of the appropriate technical terms. In order to ensure operating safety, these activities may therefore only be carried out by qualified technical personnel or an instructed person under the direction and supervision of qualified personnel. Qualified personnel are those who can recognize possible hazards and institute the appropriate safety measures due to their professional training, knowledge, and experience, as well as their understanding of the relevant conditions pertaining to the work to be done. Qualified personnel must observe the rules relevant to the subject area. Also observe the generally applicable, legal or otherwise binding regulations of the European or national legislation and the rules for the prevention of accidents and for environmental protection applicable in your country. The data specified above only serve to describe the product. No statements concerning a certain condition or suitability for a certain application can be derived from our information. The given information does not release the user from the obligation of own judgement and verification. It must be remembered that our products are subject to a natural process of wear and aging.

©This document, as well as the data, specifications and other information set forth in it, are the exclusive property of Bosch Rexroth AG. Without their consent it may not be reproduced or given to third parties.

## Spare parts list

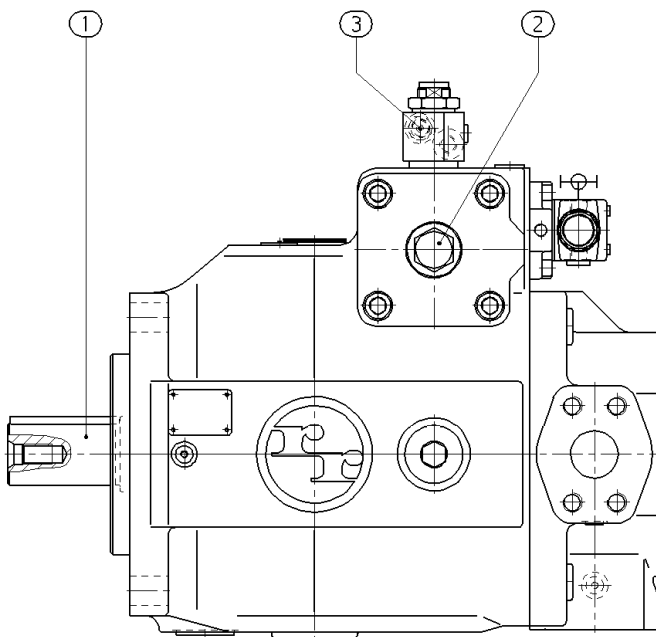
Part No.: R902408286  
Drawing no.: R910985075  
Designation: A AA4VSO 250 DP /30R-PKD63N00

Bosch Rexroth AG  
Service Hydraulics  
An den Kelterwiesen 14  
72160 Horb  
Germany  
+49 (0)7451/92-1207

Status of version: 5/2017

Date: 13.07.2018

Page: 2



L = Assembly group    D = Sealing element

### Security notice

Assembly, commissioning and operation, disassembly, service (including maintenance and repair) require basic mechanical/electrical/hydraulic/pneumatic knowledge, as well as knowledge of the appropriate technical terms. In order to ensure operating safety, these activities may therefore only be carried out by qualified technical personnel or an instructed person under the direction and supervision of qualified personnel. Qualified personnel are those who can recognize possible hazards and institute the appropriate safety measures due to their professional training, knowledge, and experience, as well as their understanding of the relevant conditions pertaining to the work to be done. Qualified personnel must observe the rules relevant to the subject area. Also observe the generally applicable, legal or otherwise binding regulations of the European or national legislation and the rules for the prevention of accidents and for environmental protection applicable in your country. The data specified above only serve to describe the product. No statements concerning a certain condition or suitability for a certain application can be derived from our information. The given information does not release the user from the obligation of own judgement and verification. It must be remembered that our products are subject to a natural process of wear and aging.

©This document, as well as the data, specifications and other information set forth in it, are the exclusive property of Bosch Rexroth AG. Without their consent it may not be reproduced or given to third parties.

## Spare parts list

Bosch Rexroth AG  
Service Hydraulics  
An den Kelterwiesen 14  
72160 Horb  
Germany  
+49 (0)7451/92-1207

Part No.: R910976833  
Drawing no.: R910976834  
Designation: G AA4VSO 250 OV /30R-PKD63N00

Status of version: 5/2017

Date: 13.07.2018

Page: 3

Pos.	Part No.	Designation	Quantity	
1	R910976848	TW AA4VSO 250 /30R-VKDK00	1 ST	L
2	R910976835	PUMP HOUSING	1 ST	
4	R910932895	PORT PLATE	1 ST	
5	R910989936	MECHANICAL INDICATOR	1 ST	L
6	R910909637	THREADED BOLT	1 ST	L
10	R910477303	SOCKET-HEAD SCREW	4 ST	
11	R910932825	SCREW PLUG	4 ST	D
13	R909154478	SCREW PLUG	3 ST	D
14	R910908983	O-RING	1 ST	D
15	R913028081	AXIALDICHTUNG AD 8X14X2,2-M-H-ECOP&	1 ST	D
18	R909831318	DOUBLE BREAK-OFF PLUG	2 ST	D
19	R909831320	DOUBLE BREAK-OFF PLUG	1 ST	D

L = Assembly group D = Sealing element

### Security notice

Assembly, commissioning and operation, disassembly, service (including maintenance and repair) require basic mechanical/electrical/hydraulic/pneumatic knowledge, as well as knowledge of the appropriate technical terms. In order to ensure operating safety, these activities may therefore only be carried out by qualified technical personnel or an instructed person under the direction and supervision of qualified personnel. Qualified personnel are those who can recognize possible hazards and institute the appropriate safety measures due to their professional training, knowledge, and experience, as well as their understanding of the relevant conditions pertaining to the work to be done. Qualified personnel must observe the rules relevant to the subject area. Also observe the generally applicable, legal or otherwise binding regulations of the European or national legislation and the rules for the prevention of accidents and for environmental protection applicable in your country. The data specified above only serve to describe the product. No statements concerning a certain condition or suitability for a certain application can be derived from our information. The given information does not release the user from the obligation of own judgement and verification. It must be remembered that our products are subject to a natural process of wear and aging.

©This document, as well as the data, specifications and other information set forth in it, are the exclusive property of Bosch Rexroth AG. Without their consent it may not be reproduced or given to third parties.

## Spare parts list

Bosch Rexroth AG  
Service Hydraulics  
An den Kelterwiesen 14  
72160 Horb  
Germany  
+49 (0)7451/92-1207

Part No.: R910976833  
Drawing no.: R910976834  
Designation: G AA4VSO 250 OV /30R-PKD63N00

Status of version: 5/2017

**Date: 13.07.2018**

**Page: 4**

20	R910979785	THROTTLE SCREW	1 ST
21	R910834491	THROTTLE SCREW	1 ST
25	R910979852	PLATE	1 ST

L = Assembly group    D = Sealing element

---

### Security notice

Assembly, commissioning and operation, disassembly, service (including maintenance and repair) require basic mechanical/electrical/hydraulic/pneumatic knowledge, as well as knowledge of the appropriate technical terms. In order to ensure operating safety, these activities may therefore only be carried out by qualified technical personnel or an instructed person under the direction and supervision of qualified personnel. Qualified personnel are those who can recognize possible hazards and institute the appropriate safety measures due to their professional training, knowledge, and experience, as well as their understanding of the relevant conditions pertaining to the work to be done. Qualified personnel must observe the rules relevant to the subject area. Also observe the generally applicable, legal or otherwise binding regulations of the European or national legislation and the rules for the prevention of accidents and for environmental protection applicable in your country. The data specified above only serve to describe the product. No statements concerning a certain condition or suitability for a certain application can be derived from our information. The given information does not release the user from the obligation of own judgement and verification. It must be remembered that our products are subject to a natural process of wear and aging.

©This document, as well as the data, specifications and other information set forth in it, are the exclusive property of Bosch Rexroth AG. Without their consent it may not be reproduced or given to third parties.



## Spare parts list

Bosch Rexroth AG  
Service Hydraulics  
An den Kelterwiesen 14  
72160 Horb  
Germany  
+49 (0)7451/92-1207

Part No.: R910976848  
Drawing no.: R910974730  
Designation: TW AA4VSO 250 /30R-VKDK00

Status of version: 5/2017

Date: 13.07.2018

Page: 6

Pos.	Part No.	Designation	Quantity
1	R902436846	PISTON-SLIPPER PAD	9 ST
3	R910988749	CYLINDER WITH BUSH	1 ST
4	R910933034	CONTROL PLATE	1 ST
5	R902408197	DRIVE SHAFT	1 ST
6	R910974944	SWASHPLATE	1 ST
7	R910909319	FOLLOWER	1 ST
8	R910909564	SLIDE RING	1 ST
9	R902439646	RETAINING PLATE	1 ST
10	R902488920	RETAINING BALL	1 ST
12	R902496074	SEGMENT A4VS 250 KOMPLETT &	2 ST
13	R910991306	SEAL FLANGE	1 ST
14	R910946527	BEARING-LINER	2 ST

L = Assembly group D = Sealing element

### Security notice

Assembly, commissioning and operation, disassembly, service (including maintenance and repair) require basic mechanical/electrical/hydraulic/pneumatic knowledge, as well as knowledge of the appropriate technical terms. In order to ensure operating safety, these activities may therefore only be carried out by qualified technical personnel or an instructed person under the direction and supervision of qualified personnel. Qualified personnel are those who can recognize possible hazards and institute the appropriate safety measures due to their professional training, knowledge, and experience, as well as their understanding of the relevant conditions pertaining to the work to be done. Qualified personnel must observe the rules relevant to the subject area. Also observe the generally applicable, legal or otherwise binding regulations of the European or national legislation and the rules for the prevention of accidents and for environmental protection applicable in your country. The data specified above only serve to describe the product. No statements concerning a certain condition or suitability for a certain application can be derived from our information. The given information does not release the user from the obligation of own judgement and verification. It must be remembered that our products are subject to a natural process of wear and aging.

©This document, as well as the data, specifications and other information set forth in it, are the exclusive property of Bosch Rexroth AG. Without their consent it may not be reproduced or given to third parties.

## Spare parts list

Bosch Rexroth AG  
Service Hydraulics  
An den Kelterwiesen 14  
72160 Horb  
Germany  
+49 (0)7451/92-1207

Part No.: R910976848  
Drawing no.: R910974730  
Designation: TW AA4VSO 250 /30R-VKDK00

Status of version: 5/2017

Date: 13.07.2018  
Page: 7

15	R910909343	SLIPPER DISC	1 ST	
16	R902400656	SHIM	2 ST	
17	R902400657	SHIM	1 ST	
18	R902445176	SHIM	1 ST	
19	R910989659	SEAL BUSH	1 ST	
20	R910974565	FRONT WHEEL	1 ST	
22	R910949038	SETTING SCREW	1 ST	
23	R910932882	SETTING SCREW	1 ST	
25	R910960739	PLAIN ROLLER BEARING	1 ST	
26	R910909424	PLAIN ROLLER BEARING	1 ST	
29	R902400796	SHIM	1 ST	
30	R909831663	SHAFT SEAL RING	1 ST	D
31	R910274011	O-RING	1 ST	D

L = Assembly group D = Sealing element

### Security notice

Assembly, commissioning and operation, disassembly, service (including maintenance and repair) require basic mechanical/electrical/hydraulic/pneumatic knowledge, as well as knowledge of the appropriate technical terms. In order to ensure operating safety, these activities may therefore only be carried out by qualified technical personnel or an instructed person under the direction and supervision of qualified personnel. Qualified personnel are those who can recognize possible hazards and institute the appropriate safety measures due to their professional training, knowledge, and experience, as well as their understanding of the relevant conditions pertaining to the work to be done. Qualified personnel must observe the rules relevant to the subject area. Also observe the generally applicable, legal or otherwise binding regulations of the European or national legislation and the rules for the prevention of accidents and for environmental protection applicable in your country. The data specified above only serve to describe the product. No statements concerning a certain condition or suitability for a certain application can be derived from our information. The given information does not release the user from the obligation of own judgement and verification. It must be remembered that our products are subject to a natural process of wear and aging.

©This document, as well as the data, specifications and other information set forth in it, are the exclusive property of Bosch Rexroth AG. Without their consent it may not be reproduced or given to third parties.

## Spare parts list

Bosch Rexroth AG  
Service Hydraulics  
An den Kelterwiesen 14  
72160 Horb  
Germany  
+49 (0)7451/92-1207

Part No.: R910976848  
Drawing no.: R910974730  
Designation: TW AA4VSO 250 /30R-VKDK00

Status of version: 5/2017

Date: 13.07.2018

Page: 8

32	R910629944	O-RING	1 ST	D
34	R910187941	RETAINING RING	1 ST	
35	R910105856	RETAINING RING	1 ST	
37	R910979458	RETAINING RING	1 ST	
38	R910979459	RETAINING RING	1 ST	
39	R910986334	RETAINING RING	1 ST	
40	R910189022	RETAINING RING	1 ST	
41	R913000823	CYLINDER PIN	1 ST	D
42	R902650867	SOCKET-HEAD SCREW	4 ST	
44	R910966452	SHAFT KEY	1 ST	
45	R910991792	RETAINING RING	1 ST	
46	R910991793	RETAINING RING	1 ST	
47	R910991794	RETAINING RING	1 ST	

L = Assembly group D = Sealing element

### Security notice

Assembly, commissioning and operation, disassembly, service (including maintenance and repair) require basic mechanical/electrical/hydraulic/pneumatic knowledge, as well as knowledge of the appropriate technical terms. In order to ensure operating safety, these activities may therefore only be carried out by qualified technical personnel or an instructed person under the direction and supervision of qualified personnel. Qualified personnel are those who can recognize possible hazards and institute the appropriate safety measures due to their professional training, knowledge, and experience, as well as their understanding of the relevant conditions pertaining to the work to be done. Qualified personnel must observe the rules relevant to the subject area. Also observe the generally applicable, legal or otherwise binding regulations of the European or national legislation and the rules for the prevention of accidents and for environmental protection applicable in your country. The data specified above only serve to describe the product. No statements concerning a certain condition or suitability for a certain application can be derived from our information. The given information does not release the user from the obligation of own judgement and verification. It must be remembered that our products are subject to a natural process of wear and aging.

©This document, as well as the data, specifications and other information set forth in it, are the exclusive property of Bosch Rexroth AG. Without their consent it may not be reproduced or given to third parties.

## Spare parts list

Bosch Rexroth AG  
Service Hydraulics  
An den Kelterwiesen 14  
72160 Horb  
Germany  
+49 (0)7451/92-1207

Part No.: R910976848  
Drawing no.: R910974730  
Designation: TW AA4VSO 250 /30R-VKDK00

Status of version: 5/2017

**Date:** 13.07.2018

**Page:** 9

48 R910991795 RETAINING RING 1 ST

L = Assembly group D = Sealing element

---

### Security notice

Assembly, commissioning and operation, disassembly, service (including maintenance and repair) require basic mechanical/electrical/hydraulic/pneumatic knowledge, as well as knowledge of the appropriate technical terms. In order to ensure operating safety, these activities may therefore only be carried out by qualified technical personnel or an instructed person under the direction and supervision of qualified personnel. Qualified personnel are those who can recognize possible hazards and institute the appropriate safety measures due to their professional training, knowledge, and experience, as well as their understanding of the relevant conditions pertaining to the work to be done. Qualified personnel must observe the rules relevant to the subject area. Also observe the generally applicable, legal or otherwise binding regulations of the European or national legislation and the rules for the prevention of accidents and for environmental protection applicable in your country. The data specified above only serve to describe the product. No statements concerning a certain condition or suitability for a certain application can be derived from our information. The given information does not release the user from the obligation of own judgement and verification. It must be remembered that our products are subject to a natural process of wear and aging.

©This document, as well as the data, specifications and other information set forth in it, are the exclusive property of Bosch Rexroth AG. Without their consent it may not be reproduced or given to third parties.

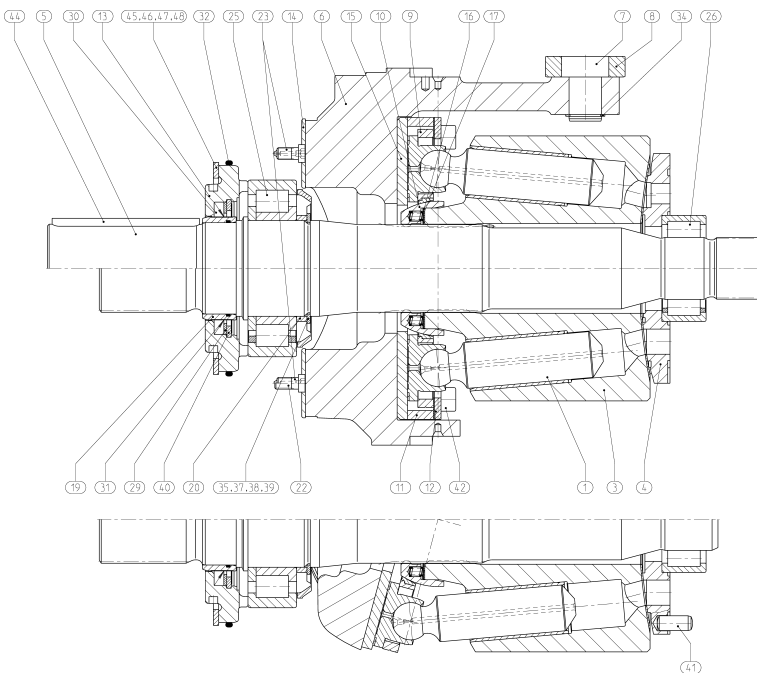
## Spare parts list

Part No.: R910976848  
 Drawing no.: R910974730  
 Designation: TW AA4VSO 250 /30R-VKDK00

Bosch Rexroth AG  
 Service Hydraulics  
 An den Kelterwiesen 14  
 72160 Horb  
 Germany  
 +49 (0)7451/92-1207

Status of version: 5/2017

Date: 13.07.2018  
 Page: 10



L = Assembly group    D = Sealing element

### Security notice

Assembly, commissioning and operation, disassembly, service (including maintenance and repair) require basic mechanical/electrical/hydraulic/pneumatic knowledge, as well as knowledge of the appropriate technical terms. In order to ensure operating safety, these activities may therefore only be carried out by qualified technical personnel or an instructed person under the direction and supervision of qualified personnel. Qualified personnel are those who can recognize possible hazards and institute the appropriate safety measures due to their professional training, knowledge, and experience, as well as their understanding of the relevant conditions pertaining to the work to be done. Qualified personnel must observe the rules relevant to the subject area. Also observe the generally applicable, legal or otherwise binding regulations of the European or national legislation and the rules for the prevention of accidents and for environmental protection applicable in your country. The data specified above only serve to describe the product. No statements concerning a certain condition or suitability for a certain application can be derived from our information. The given information does not release the user from the obligation of own judgement and verification. It must be remembered that our products are subject to a natural process of wear and aging.

©This document, as well as the data, specifications and other information set forth in it, are the exclusive property of Bosch Rexroth AG. Without their consent it may not be reproduced or given to third parties.

## Spare parts list

Bosch Rexroth AG  
Service Hydraulics  
An den Kelterwiesen 14  
72160 Horb  
Germany  
+49 (0)7451/92-1207

Part No.: R910989936  
Drawing no.: R910972331  
Designation: MECHANICAL INDICATOR

Status of version: 5/2017

Date: 13.07.2018  
Page: 11

Pos.	Part No.	Designation	Quantity	
1	R910970634	THREADED BOLT	1 ST	
2	R910970504	FOLLOWER	1 ST	
4	R910970635	INDICATOR	1 ST	
5	R910908854	DIAL	1 ST	
6	R910415286	SEAL RING	1 ST	D
7	R910963003	QUAD BONDET RING	1 ST	D
8	R910970636	SEAL RING	1 ST	D
9	R910109231	SOCKET-HEAD SCREW	1 ST	
11	R910911771	CYLINDER PIN	1 ST	
12	R910125776	CLAMPING PIN	1 ST	

L = Assembly group    D = Sealing element

### Security notice

Assembly, commissioning and operation, disassembly, service (including maintenance and repair) require basic mechanical/electrical/hydraulic/pneumatic knowledge, as well as knowledge of the appropriate technical terms. In order to ensure operating safety, these activities may therefore only be carried out by qualified technical personnel or an instructed person under the direction and supervision of qualified personnel. Qualified personnel are those who can recognize possible hazards and institute the appropriate safety measures due to their professional training, knowledge, and experience, as well as their understanding of the relevant conditions pertaining to the work to be done. Qualified personnel must observe the rules relevant to the subject area. Also observe the generally applicable, legal or otherwise binding regulations of the European or national legislation and the rules for the prevention of accidents and for environmental protection applicable in your country. The data specified above only serve to describe the product. No statements concerning a certain condition or suitability for a certain application can be derived from our information. The given information does not release the user from the obligation of own judgement and verification. It must be remembered that our products are subject to a natural process of wear and aging.

©This document, as well as the data, specifications and other information set forth in it, are the exclusive property of Bosch Rexroth AG. Without their consent it may not be reproduced or given to third parties.

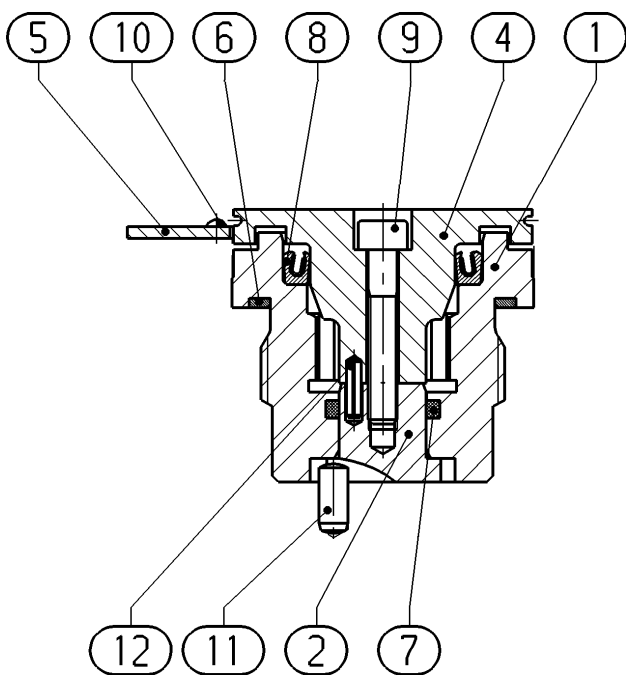
## Spare parts list

Part No.: R910989936  
Drawing no.: R910972331  
Designation: MECHANICAL INDICATOR

Bosch Rexroth AG  
Service Hydraulics  
An den Kelterwiesen 14  
72160 Horb  
Germany  
+49 (0)7451/92-1207

Status of version: 5/2017

Date: 13.07.2018  
Page: 12



L = Assembly group    D = Sealing element

### Security notice

Assembly, commissioning and operation, disassembly, service (including maintenance and repair) require basic mechanical/electrical/hydraulic/pneumatic knowledge, as well as knowledge of the appropriate technical terms. In order to ensure operating safety, these activities may therefore only be carried out by qualified technical personnel or an instructed person under the direction and supervision of qualified personnel. Qualified personnel are those who can recognize possible hazards and institute the appropriate safety measures due to their professional training, knowledge, and experience, as well as their understanding of the relevant conditions pertaining to the work to be done. Qualified personnel must observe the rules relevant to the subject area. Also observe the generally applicable, legal or otherwise binding regulations of the European or national legislation and the rules for the prevention of accidents and for environmental protection applicable in your country. The data specified above only serve to describe the product. No statements concerning a certain condition or suitability for a certain application can be derived from our information. The given information does not release the user from the obligation of own judgement and verification. It must be remembered that our products are subject to a natural process of wear and aging.

©This document, as well as the data, specifications and other information set forth in it, are the exclusive property of Bosch Rexroth AG. Without their consent it may not be reproduced or given to third parties.

## Spare parts list

Bosch Rexroth AG  
Service Hydraulics  
An den Kelterwiesen 14  
72160 Horb  
Germany  
+49 (0)7451/92-1207

Part No.: R910909637  
Drawing no.: R910909505  
Designation: THREADED BOLT

Status of version: 5/2017

**Date: 13.07.2018**  
**Page: 13**

Pos.	Part No.	Designation	Quantity	
1	R910909572	THREADED BOLT	1 ST	
2	R910415286	SEAL RING	1 ST	D

L = Assembly group    D = Sealing element

### Security notice

Assembly, commissioning and operation, disassembly, service (including maintenance and repair) require basic mechanical/electrical/hydraulic/pneumatic knowledge, as well as knowledge of the appropriate technical terms. In order to ensure operating safety, these activities may therefore only be carried out by qualified technical personnel or an instructed person under the direction and supervision of qualified personnel. Qualified personnel are those who can recognize possible hazards and institute the appropriate safety measures due to their professional training, knowledge, and experience, as well as their understanding of the relevant conditions pertaining to the work to be done. Qualified personnel must observe the rules relevant to the subject area. Also observe the generally applicable, legal or otherwise binding regulations of the European or national legislation and the rules for the prevention of accidents and for environmental protection applicable in your country. The data specified above only serve to describe the product. No statements concerning a certain condition or suitability for a certain application can be derived from our information. The given information does not release the user from the obligation of own judgement and verification. It must be remembered that our products are subject to a natural process of wear and aging.

©This document, as well as the data, specifications and other information set forth in it, are the exclusive property of Bosch Rexroth AG. Without their consent it may not be reproduced or given to third parties.

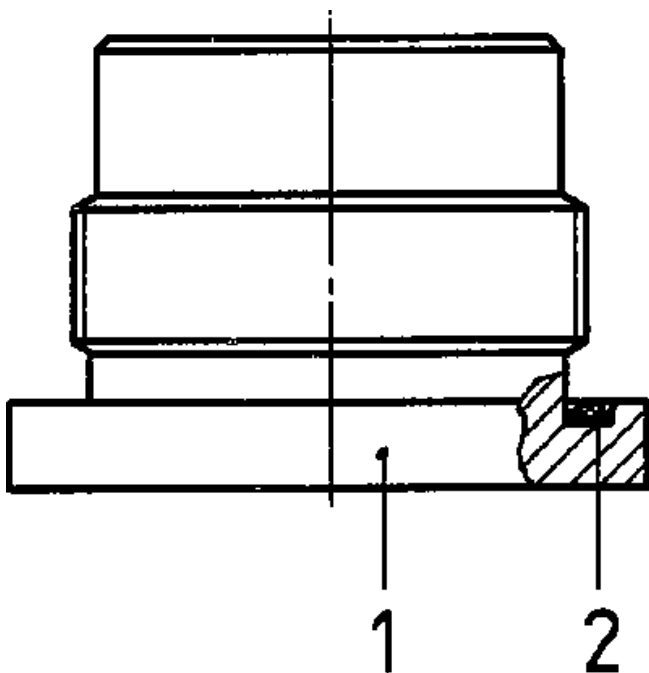
## Spare parts list

Part No.: R910909637  
Drawing no.: R910909505  
Designation: THREADED BOLT

Bosch Rexroth AG  
Service Hydraulics  
An den Kelterwiesen 14  
72160 Horb  
Germany  
+49 (0)7451/92-1207

Status of version: 5/2017

Date: 13.07.2018  
Page: 14



L = Assembly group    D = Sealing element

### Security notice

Assembly, commissioning and operation, disassembly, service (including maintenance and repair) require basic mechanical/electrical/hydraulic/pneumatic knowledge, as well as knowledge of the appropriate technical terms. In order to ensure operating safety, these activities may therefore only be carried out by qualified technical personnel or an instructed person under the direction and supervision of qualified personnel. Qualified personnel are those who can recognize possible hazards and institute the appropriate safety measures due to their professional training, knowledge, and experience, as well as their understanding of the relevant conditions pertaining to the work to be done. Qualified personnel must observe the rules relevant to the subject area. Also observe the generally applicable, legal or otherwise binding regulations of the European or national legislation and the rules for the prevention of accidents and for environmental protection applicable in your country. The data specified above only serve to describe the product. No statements concerning a certain condition or suitability for a certain application can be derived from our information. The given information does not release the user from the obligation of own judgement and verification. It must be remembered that our products are subject to a natural process of wear and aging.

©This document, as well as the data, specifications and other information set forth in it, are the exclusive property of Bosch Rexroth AG. Without their consent it may not be reproduced or given to third parties.

## Spare parts list

Bosch Rexroth AG  
Service Hydraulics  
An den Kelterwiesen 14  
72160 Horb  
Germany  
+49 (0)7451/92-1207

Part No.: R910976941  
Drawing no.: R910985077  
Designation: R A4VS 250/355 DP /30R

Status of version: 5/2017

**Date: 13.07.2018**  
**Page: 15**

Pos.	Part No.	Designation	Quantity	
1	R910995765	VERSTELLTEIL A4VS 250,355 DP/30	1 ST	L
2	R910976948	SANDWICH PLATE	1 ST	L
3	R910916382	CONTROL VALVE	1 ST	L
5	R902448239	THROTTLE VALVE	1 ST	L
6	R909156493	ORIFICE	1 ST	
7	R910785105	SOCKET-HEAD SCREW	4 ST	
8	R902418895	PIPE WITH ACCESSORIES	1 ST	L

L = Assembly group D = Sealing element

### Security notice

Assembly, commissioning and operation, disassembly, service (including maintenance and repair) require basic mechanical/electrical/hydraulic/pneumatic knowledge, as well as knowledge of the appropriate technical terms. In order to ensure operating safety, these activities may therefore only be carried out by qualified technical personnel or an instructed person under the direction and supervision of qualified personnel. Qualified personnel are those who can recognize possible hazards and institute the appropriate safety measures due to their professional training, knowledge, and experience, as well as their understanding of the relevant conditions pertaining to the work to be done. Qualified personnel must observe the rules relevant to the subject area. Also observe the generally applicable, legal or otherwise binding regulations of the European or national legislation and the rules for the prevention of accidents and for environmental protection applicable in your country. The data specified above only serve to describe the product. No statements concerning a certain condition or suitability for a certain application can be derived from our information. The given information does not release the user from the obligation of own judgement and verification. It must be remembered that our products are subject to a natural process of wear and aging.

©This document, as well as the data, specifications and other information set forth in it, are the exclusive property of Bosch Rexroth AG. Without their consent it may not be reproduced or given to third parties.

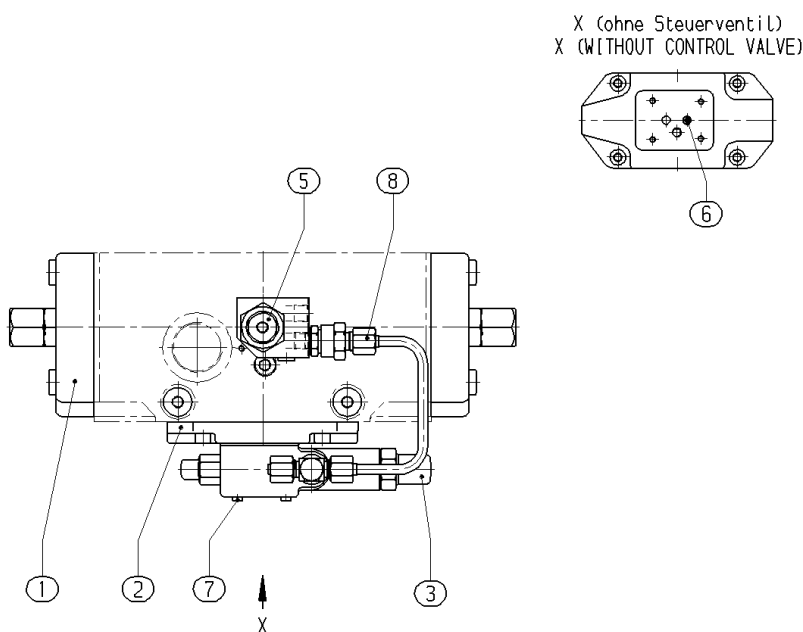
## Spare parts list

Part No.: R910976941  
 Drawing no.: R910985077  
 Designation: R A4VS 250/355 DP /30R

Bosch Rexroth AG  
 Service Hydraulics  
 An den Kelterwiesen 14  
 72160 Horb  
 Germany  
 +49 (0)7451/92-1207

Status of version: 5/2017

Date: 13.07.2018  
 Page: 16



L = Assembly group D = Sealing element

### Security notice

Assembly, commissioning and operation, disassembly, service (including maintenance and repair) require basic mechanical/electrical/hydraulic/pneumatic knowledge, as well as knowledge of the appropriate technical terms. In order to ensure operating safety, these activities may therefore only be carried out by qualified technical personnel or an instructed person under the direction and supervision of qualified personnel. Qualified personnel are those who can recognize possible hazards and institute the appropriate safety measures due to their professional training, knowledge, and experience, as well as their understanding of the relevant conditions pertaining to the work to be done. Qualified personnel must observe the rules relevant to the subject area. Also observe the generally applicable, legal or otherwise binding regulations of the European or national legislation and the rules for the prevention of accidents and for environmental protection applicable in your country. The data specified above only serve to describe the product. No statements concerning a certain condition or suitability for a certain application can be derived from our information. The given information does not release the user from the obligation of own judgement and verification. It must be remembered that our products are subject to a natural process of wear and aging.

©This document, as well as the data, specifications and other information set forth in it, are the exclusive property of Bosch Rexroth AG. Without their consent it may not be reproduced or given to third parties.

## Spare parts list

Bosch Rexroth AG  
Service Hydraulics  
An den Kelterwiesen 14  
72160 Horb  
Germany  
+49 (0)7451/92-1207

Part No.: R910995765  
Drawing no.: R902532108  
Designation: VERSTELLTEIL A4VS 250,355 DP/30

Status of version: 5/2017

Date: 13.07.2018  
Page: 17

Pos.	Part No.	Designation	Quantity	
1	R910945279	PISTON HOUSING	1 ST	
2	R910945395	PISTON HOUSING	1 ST	
3	R902531046	VERSTELLKOLBEN A4VS 250/350 DR+LR	1 ST	
6	R910943107	SPRING	1 ST	
7	R910903328	NUT	2 ST	
8	R910903330	CAP NUT	2 ST	
9	R902519546	GEWINDEBOLZEN A4VS M20X1,5X57,6	1 ST	D
10	R902519547	GEWINDEBOLZEN A4VS M20X1,5X82,6	1 ST	D
11	R910604976	SOCKET-HEAD SCREW	8 ST	
12	R910978692	PLUG	1 ST	
13	R910978693	SEAL RING	1 ST	D
14	R910513482	O-RING	2 ST	D

L = Assembly group D = Sealing element

### Security notice

Assembly, commissioning and operation, disassembly, service (including maintenance and repair) require basic mechanical/electrical/hydraulic/pneumatic knowledge, as well as knowledge of the appropriate technical terms. In order to ensure operating safety, these activities may therefore only be carried out by qualified technical personnel or an instructed person under the direction and supervision of qualified personnel. Qualified personnel are those who can recognize possible hazards and institute the appropriate safety measures due to their professional training, knowledge, and experience, as well as their understanding of the relevant conditions pertaining to the work to be done. Qualified personnel must observe the rules relevant to the subject area. Also observe the generally applicable, legal or otherwise binding regulations of the European or national legislation and the rules for the prevention of accidents and for environmental protection applicable in your country. The data specified above only serve to describe the product. No statements concerning a certain condition or suitability for a certain application can be derived from our information. The given information does not release the user from the obligation of own judgement and verification. It must be remembered that our products are subject to a natural process of wear and aging.

©This document, as well as the data, specifications and other information set forth in it, are the exclusive property of Bosch Rexroth AG. Without their consent it may not be reproduced or given to third parties.

## Spare parts list

Bosch Rexroth AG  
Service Hydraulics  
An den Kelterwiesen 14  
72160 Horb  
Germany  
+49 (0)7451/92-1207

Part No.: R910995765  
Drawing no.: R902532108  
Designation: VERSTELLTEIL A4VS 250,355 DP/30

Status of version: 5/2017

**Date: 13.07.2018**

**Page: 18**

15	R910923831	R-RING	15,54-DKAR00114-N90	2 ST	D
16	R910977045	O-RING		4 ST	D
17	R902650323	KANTSEAL-RING		2 ST	D
18	R909831320	DOUBLE BREAK-OFF PLUG		1 ST	D
20	R909153815	SCREW PLUG		2 ST	D
22	R910987526	SCREW PLUG		1 ST	
23	R910100951	THREADED PIN		1 ST	

L = Assembly group    D = Sealing element

---

### Security notice

Assembly, commissioning and operation, disassembly, service (including maintenance and repair) require basic mechanical/electrical/hydraulic/pneumatic knowledge, as well as knowledge of the appropriate technical terms. In order to ensure operating safety, these activities may therefore only be carried out by qualified technical personnel or an instructed person under the direction and supervision of qualified personnel. Qualified personnel are those who can recognize possible hazards and institute the appropriate safety measures due to their professional training, knowledge, and experience, as well as their understanding of the relevant conditions pertaining to the work to be done. Qualified personnel must observe the rules relevant to the subject area. Also observe the generally applicable, legal or otherwise binding regulations of the European or national legislation and the rules for the prevention of accidents and for environmental protection applicable in your country. The data specified above only serve to describe the product. No statements concerning a certain condition or suitability for a certain application can be derived from our information. The given information does not release the user from the obligation of own judgement and verification. It must be remembered that our products are subject to a natural process of wear and aging.

©This document, as well as the data, specifications and other information set forth in it, are the exclusive property of Bosch Rexroth AG. Without their consent it may not be reproduced or given to third parties.

## Spare parts list

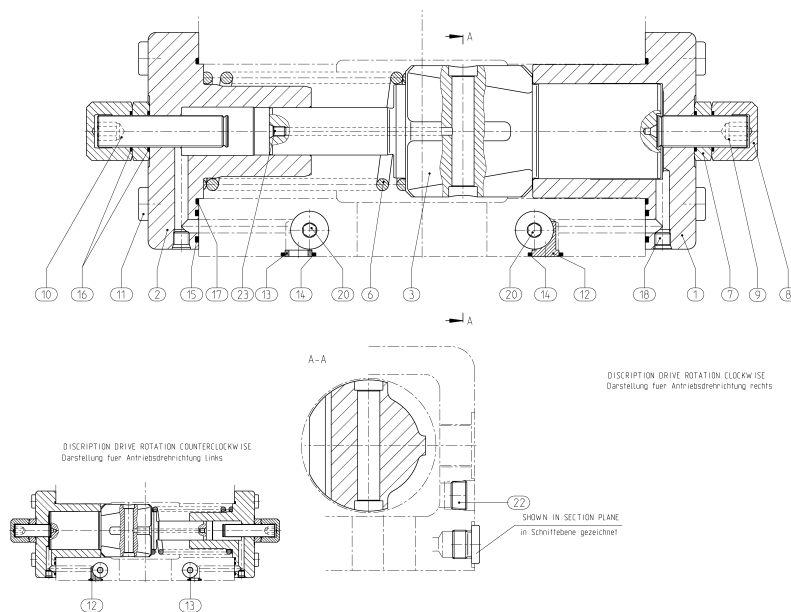
Part No.: R910995765  
 Drawing no.: R902532108  
 Designation: VERSTELLTEIL A4VS 250,355 DP/30

Bosch Rexroth AG  
 Service Hydraulics  
 An den Kelterwiesen 14  
 72160 Horb  
 Germany  
 +49 (0)7451/92-1207

Status of version: 5/2017

Date: 13.07.2018

Page: 19



L = Assembly group D = Sealing element

### Security notice

Assembly, commissioning and operation, disassembly, service (including maintenance and repair) require basic mechanical/electrical/hydraulic/pneumatic knowledge, as well as knowledge of the appropriate technical terms. In order to ensure operating safety, these activities may therefore only be carried out by qualified technical personnel or an instructed person under the direction and supervision of qualified personnel. Qualified personnel are those who can recognize possible hazards and institute the appropriate safety measures due to their professional training, knowledge, and experience, as well as their understanding of the relevant conditions pertaining to the work to be done. Qualified personnel must observe the rules relevant to the subject area. Also observe the generally applicable, legal or otherwise binding regulations of the European or national legislation and the rules for the prevention of accidents and for environmental protection applicable in your country. The data specified above only serve to describe the product. No statements concerning a certain condition or suitability for a certain application can be derived from our information. The given information does not release the user from the obligation of own judgement and verification. It must be remembered that our products are subject to a natural process of wear and aging.

©This document, as well as the data, specifications and other information set forth in it, are the exclusive property of Bosch Rexroth AG. Without their consent it may not be reproduced or given to third parties.

## Spare parts list

Bosch Rexroth AG  
Service Hydraulics  
An den Kelterwiesen 14  
72160 Horb  
Germany  
+49 (0)7451/92-1207

Part No.: R910976948  
Drawing no.: R910976949  
Designation: SANDWICH PLATE

Status of version: 5/2017

**Date: 13.07.2018**  
**Page: 20**

Pos.	Part No.	Designation	Quantity	
1	R910976850	SANDWICH PLATE	1 ST	
2	R910523003	O-RING	2 ST	D
3	R902650323	KANTSEAL-RING	1 ST	D
4	R910109479	SOCKET-HEAD SCREW	4 ST	
5	R909831319	DOUBLE BREAK-OFF PLUG	1 ST	D

L = Assembly group    D = Sealing element

### Security notice

Assembly, commissioning and operation, disassembly, service (including maintenance and repair) require basic mechanical/electrical/hydraulic/pneumatic knowledge, as well as knowledge of the appropriate technical terms. In order to ensure operating safety, these activities may therefore only be carried out by qualified technical personnel or an instructed person under the direction and supervision of qualified personnel. Qualified personnel are those who can recognize possible hazards and institute the appropriate safety measures due to their professional training, knowledge, and experience, as well as their understanding of the relevant conditions pertaining to the work to be done. Qualified personnel must observe the rules relevant to the subject area. Also observe the generally applicable, legal or otherwise binding regulations of the European or national legislation and the rules for the prevention of accidents and for environmental protection applicable in your country. The data specified above only serve to describe the product. No statements concerning a certain condition or suitability for a certain application can be derived from our information. The given information does not release the user from the obligation of own judgement and verification. It must be remembered that our products are subject to a natural process of wear and aging.

©This document, as well as the data, specifications and other information set forth in it, are the exclusive property of Bosch Rexroth AG. Without their consent it may not be reproduced or given to third parties.

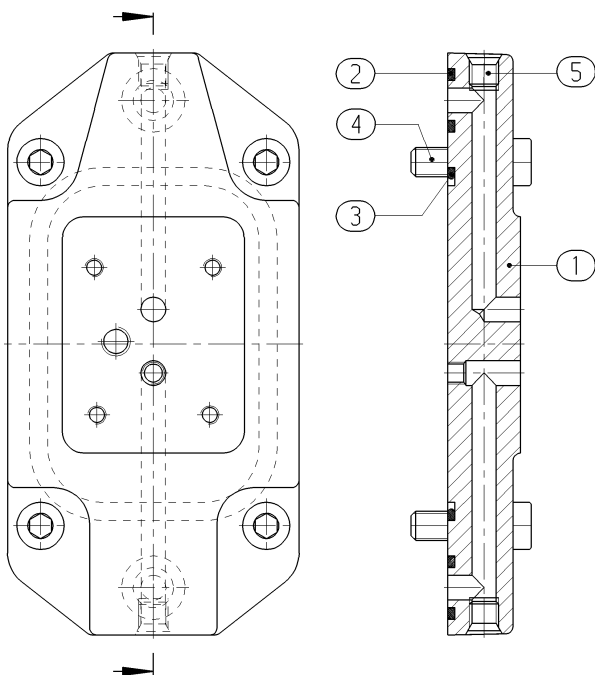
## Spare parts list

Bosch Rexroth AG  
Service Hydraulics  
An den Kelterwiesen 14  
72160 Horb  
Germany  
+49 (0)7451/92-1207

Part No.: R910976948  
Drawing no.: R910976949  
Designation: SANDWICH PLATE

Status of version: 5/2017

Date: 13.07.2018  
Page: 21



L = Assembly group    D = Sealing element

### Security notice

Assembly, commissioning and operation, disassembly, service (including maintenance and repair) require basic mechanical/electrical/hydraulic/pneumatic knowledge, as well as knowledge of the appropriate technical terms. In order to ensure operating safety, these activities may therefore only be carried out by qualified technical personnel or an instructed person under the direction and supervision of qualified personnel. Qualified personnel are those who can recognize possible hazards and institute the appropriate safety measures due to their professional training, knowledge, and experience, as well as their understanding of the relevant conditions pertaining to the work to be done. Qualified personnel must observe the rules relevant to the subject area. Also observe the generally applicable, legal or otherwise binding regulations of the European or national legislation and the rules for the prevention of accidents and for environmental protection applicable in your country. The data specified above only serve to describe the product. No statements concerning a certain condition or suitability for a certain application can be derived from our information. The given information does not release the user from the obligation of own judgement and verification. It must be remembered that our products are subject to a natural process of wear and aging.

©This document, as well as the data, specifications and other information set forth in it, are the exclusive property of Bosch Rexroth AG. Without their consent it may not be reproduced or given to third parties.

## Spare parts list

Bosch Rexroth AG  
Service Hydraulics  
An den Kelterwiesen 14  
72160 Horb  
Germany  
+49 (0)7451/92-1207

Part No.: R910916382  
Drawing no.: R910926701  
Designation: CONTROL VALVE

Status of version: 5/2017

**Date: 13.07.2018**  
**Page: 22**

Pos.	Part No.	Designation	Quantity	
1	R902539084	STEUERVENTIL ZVK A4 DRG-P	1 ST	L
2	R910514543	O-RING	5 ST	D
3	R909151979	SCREW PLUG	1 ST	D

L = Assembly group D = Sealing element

### Security notice

Assembly, commissioning and operation, disassembly, service (including maintenance and repair) require basic mechanical/electrical/hydraulic/pneumatic knowledge, as well as knowledge of the appropriate technical terms. In order to ensure operating safety, these activities may therefore only be carried out by qualified technical personnel or an instructed person under the direction and supervision of qualified personnel. Qualified personnel are those who can recognize possible hazards and institute the appropriate safety measures due to their professional training, knowledge, and experience, as well as their understanding of the relevant conditions pertaining to the work to be done. Qualified personnel must observe the rules relevant to the subject area. Also observe the generally applicable, legal or otherwise binding regulations of the European or national legislation and the rules for the prevention of accidents and for environmental protection applicable in your country. The data specified above only serve to describe the product. No statements concerning a certain condition or suitability for a certain application can be derived from our information. The given information does not release the user from the obligation of own judgement and verification. It must be remembered that our products are subject to a natural process of wear and aging.

©This document, as well as the data, specifications and other information set forth in it, are the exclusive property of Bosch Rexroth AG. Without their consent it may not be reproduced or given to third parties.

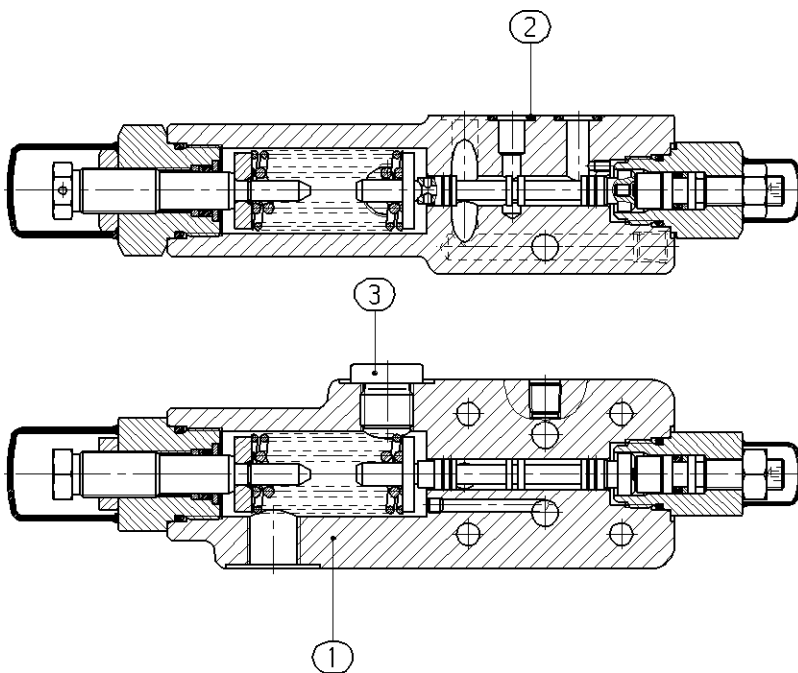
## Spare parts list

Part No.: R910916382  
Drawing no.: R910926701  
Designation: CONTROL VALVE

Bosch Rexroth AG  
Service Hydraulics  
An den Kelterwiesen 14  
72160 Horb  
Germany  
+49 (0)7451/92-1207

Status of version: 5/2017

Date: 13.07.2018  
Page: 23



L = Assembly group    D = Sealing element

### Security notice

Assembly, commissioning and operation, disassembly, service (including maintenance and repair) require basic mechanical/electrical/hydraulic/pneumatic knowledge, as well as knowledge of the appropriate technical terms. In order to ensure operating safety, these activities may therefore only be carried out by qualified technical personnel or an instructed person under the direction and supervision of qualified personnel. Qualified personnel are those who can recognize possible hazards and institute the appropriate safety measures due to their professional training, knowledge, and experience, as well as their understanding of the relevant conditions pertaining to the work to be done. Qualified personnel must observe the rules relevant to the subject area. Also observe the generally applicable, legal or otherwise binding regulations of the European or national legislation and the rules for the prevention of accidents and for environmental protection applicable in your country. The data specified above only serve to describe the product. No statements concerning a certain condition or suitability for a certain application can be derived from our information. The given information does not release the user from the obligation of own judgement and verification. It must be remembered that our products are subject to a natural process of wear and aging.

©This document, as well as the data, specifications and other information set forth in it, are the exclusive property of Bosch Rexroth AG. Without their consent it may not be reproduced or given to third parties.

## Spare parts list

Bosch Rexroth AG  
Service Hydraulics  
An den Kelterwiesen 14  
72160 Horb  
Germany  
+49 (0)7451/92-1207

Part No.: R902539084  
Drawing no.: R902538991  
Designation: STEUERVENTIL ZVK A4 DRG-P

Status of version: 5/2017

Date: 13.07.2018  
Page: 24

Pos.	Part No.	Designation	Quantity
1	R910799777	VALVE HOUSING	1 ST
2	R902532286	VERSTELLUNG 4 A4VS40-1000 #100NM	1 ST L
3	R910799793	SPRING COLLAR	1 ST
4	R910799807	VALVE PISTON	1 ST
6	R910957585	SPRING	1 ST
7	R910771147	SPRING	1 ST
11	R910230545	SCREW PLUG	2 ST
13	R910914741	GEWINDESTIFT DIN913-M4X4-10.9	1 ST
14	R910902590	ORIFICE	1 ST
16	R910960006	STROKE LIMITATION	1 ST L
61	R900156528	PLATTE PLASTIK-WE6 VENTIL	1 ST
81	R902602008	SEAL SCREW	2 ST

L = Assembly group D = Sealing element

### Security notice

Assembly, commissioning and operation, disassembly, service (including maintenance and repair) require basic mechanical/electrical/hydraulic/pneumatic knowledge, as well as knowledge of the appropriate technical terms. In order to ensure operating safety, these activities may therefore only be carried out by qualified technical personnel or an instructed person under the direction and supervision of qualified personnel. Qualified personnel are those who can recognize possible hazards and institute the appropriate safety measures due to their professional training, knowledge, and experience, as well as their understanding of the relevant conditions pertaining to the work to be done. Qualified personnel must observe the rules relevant to the subject area. Also observe the generally applicable, legal or otherwise binding regulations of the European or national legislation and the rules for the prevention of accidents and for environmental protection applicable in your country. The data specified above only serve to describe the product. No statements concerning a certain condition or suitability for a certain application can be derived from our information. The given information does not release the user from the obligation of own judgement and verification. It must be remembered that our products are subject to a natural process of wear and aging.

©This document, as well as the data, specifications and other information set forth in it, are the exclusive property of Bosch Rexroth AG. Without their consent it may not be reproduced or given to third parties.

## Spare parts list

Bosch Rexroth AG  
Service Hydraulics  
An den Kelterwiesen 14  
72160 Horb  
Germany  
+49 (0)7451/92-1207

Part No.: R902539084  
Drawing no.: R902538991  
Designation: STEUERVERTIL ZVK A4 DRG-P

Status of version: 5/2017

**Date: 13.07.2018**

**Page: 25**

91	R902556829	TYPSCCHILD	REGLER 'ALU'	1 ST
92	R909084286	ROUND HEAD RIVET		2 ST

L = Assembly group D = Sealing element

---

### Security notice

Assembly, commissioning and operation, disassembly, service (including maintenance and repair) require basic mechanical/electrical/hydraulic/pneumatic knowledge, as well as knowledge of the appropriate technical terms. In order to ensure operating safety, these activities may therefore only be carried out by qualified technical personnel or an instructed person under the direction and supervision of qualified personnel. Qualified personnel are those who can recognize possible hazards and institute the appropriate safety measures due to their professional training, knowledge, and experience, as well as their understanding of the relevant conditions pertaining to the work to be done. Qualified personnel must observe the rules relevant to the subject area. Also observe the generally applicable, legal or otherwise binding regulations of the European or national legislation and the rules for the prevention of accidents and for environmental protection applicable in your country. The data specified above only serve to describe the product. No statements concerning a certain condition or suitability for a certain application can be derived from our information. The given information does not release the user from the obligation of own judgement and verification. It must be remembered that our products are subject to a natural process of wear and aging.

©This document, as well as the data, specifications and other information set forth in it, are the exclusive property of Bosch Rexroth AG. Without their consent it may not be reproduced or given to third parties.

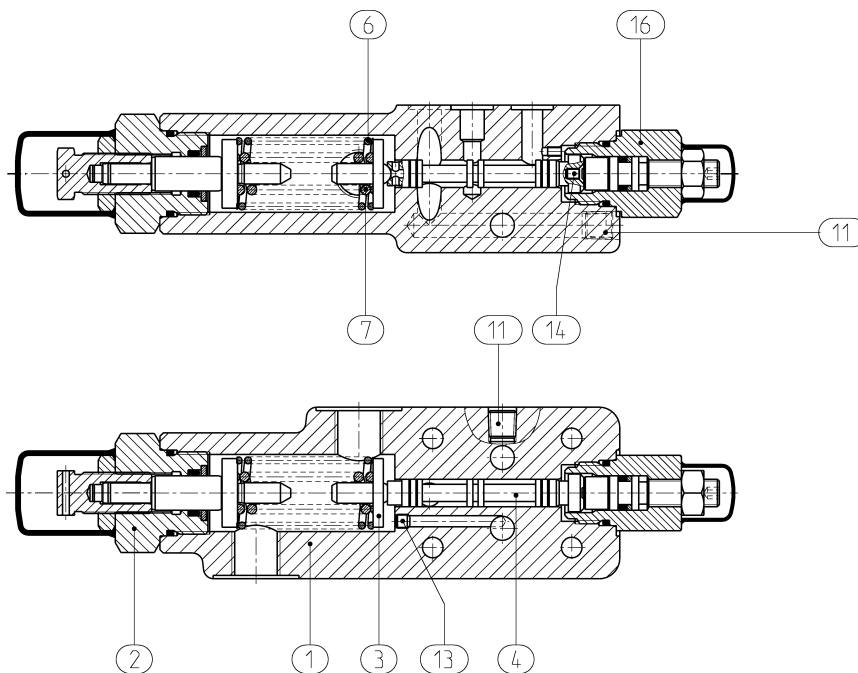
## Spare parts list

Bosch Rexroth AG  
Service Hydraulics  
An den Kelterwiesen 14  
72160 Horb  
Germany  
+49 (0)7451/92-1207

Part No.: R902539084  
Drawing no.: R902538991  
Designation: STEUERVERTIL ZVK A4 DRG-P

Status of version: 5/2017

Date: 13.07.2018  
Page: 26



L = Assembly group    D = Sealing element

### Security notice

Assembly, commissioning and operation, disassembly, service (including maintenance and repair) require basic mechanical/electrical/hydraulic/pneumatic knowledge, as well as knowledge of the appropriate technical terms. In order to ensure operating safety, these activities may therefore only be carried out by qualified technical personnel or an instructed person under the direction and supervision of qualified personnel. Qualified personnel are those who can recognize possible hazards and institute the appropriate safety measures due to their professional training, knowledge, and experience, as well as their understanding of the relevant conditions pertaining to the work to be done. Qualified personnel must observe the rules relevant to the subject area. Also observe the generally applicable, legal or otherwise binding regulations of the European or national legislation and the rules for the prevention of accidents and for environmental protection applicable in your country. The data specified above only serve to describe the product. No statements concerning a certain condition or suitability for a certain application can be derived from our information. The given information does not release the user from the obligation of own judgement and verification. It must be remembered that our products are subject to a natural process of wear and aging.

©This document, as well as the data, specifications and other information set forth in it, are the exclusive property of Bosch Rexroth AG. Without their consent it may not be reproduced or given to third parties.

## Spare parts list

Bosch Rexroth AG  
Service Hydraulics  
An den Kelterwiesen 14  
72160 Horb  
Germany  
+49 (0)7451/92-1207

Part No.: R902532286  
Drawing no.: R902538790  
Designation: VERSTELLUNG 4 A4VS40-1000 #100NM

Status of version: 5/2017

Date: 13.07.2018

Page: 27

Pos.	Part No.	Designation	Quantity	
1	R902538781	VERSCHLUSSSCHRAUBE A4VS 40-1000	1 ST	
2	R910789186	NUT	1 ST	
3	R910920777	CAP	1 ST	
4	R910913392	BACKUP RINMG	1 ST	D
5	R902538779	SPINDEL A4VS	1 ST	
6	R902538780	FEDERHALTER A4VS 40-1000	1 ST	
7	R910913376	SHIM	1 ST	
8	R910789232	O-RING	1 ST	D
9	R910102032	O-RING 10 X2 N80	1 ST	D

L = Assembly group D = Sealing element

### Security notice

Assembly, commissioning and operation, disassembly, service (including maintenance and repair) require basic mechanical/electrical/hydraulic/pneumatic knowledge, as well as knowledge of the appropriate technical terms. In order to ensure operating safety, these activities may therefore only be carried out by qualified technical personnel or an instructed person under the direction and supervision of qualified personnel. Qualified personnel are those who can recognize possible hazards and institute the appropriate safety measures due to their professional training, knowledge, and experience, as well as their understanding of the relevant conditions pertaining to the work to be done. Qualified personnel must observe the rules relevant to the subject area. Also observe the generally applicable, legal or otherwise binding regulations of the European or national legislation and the rules for the prevention of accidents and for environmental protection applicable in your country. The data specified above only serve to describe the product. No statements concerning a certain condition or suitability for a certain application can be derived from our information. The given information does not release the user from the obligation of own judgement and verification. It must be remembered that our products are subject to a natural process of wear and aging.

©This document, as well as the data, specifications and other information set forth in it, are the exclusive property of Bosch Rexroth AG. Without their consent it may not be reproduced or given to third parties.

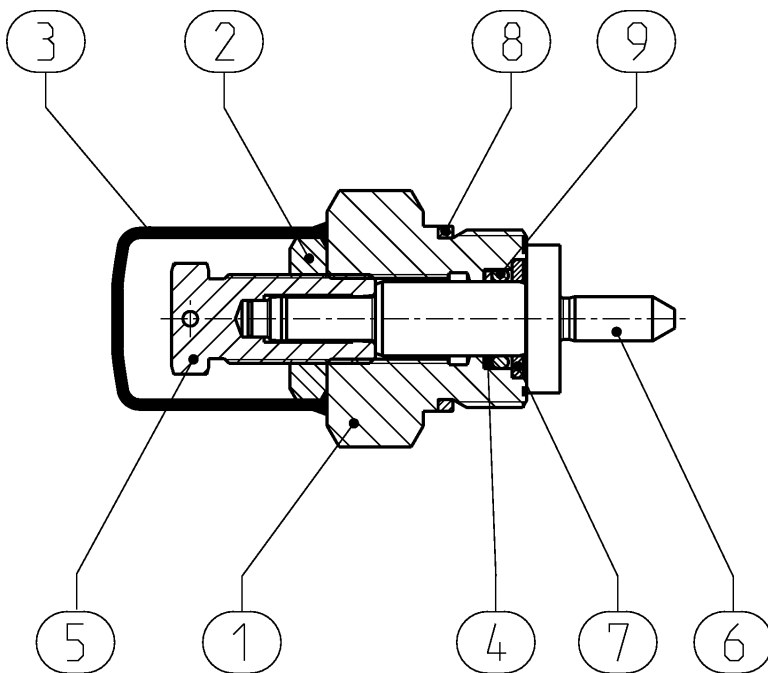
## Spare parts list

Bosch Rexroth AG  
Service Hydraulics  
An den Kelterwiesen 14  
72160 Horb  
Germany  
+49 (0)7451/92-1207

Part No.: R902532286  
Drawing no.: R902538790  
Designation: VERSTELLUNG 4 A4VS40-1000 #100NM

Status of version: 5/2017

Date: 13.07.2018  
Page: 28



L = Assembly group D = Sealing element

### Security notice

Assembly, commissioning and operation, disassembly, service (including maintenance and repair) require basic mechanical/electrical/hydraulic/pneumatic knowledge, as well as knowledge of the appropriate technical terms. In order to ensure operating safety, these activities may therefore only be carried out by qualified technical personnel or an instructed person under the direction and supervision of qualified personnel. Qualified personnel are those who can recognize possible hazards and institute the appropriate safety measures due to their professional training, knowledge, and experience, as well as their understanding of the relevant conditions pertaining to the work to be done. Qualified personnel must observe the rules relevant to the subject area. Also observe the generally applicable, legal or otherwise binding regulations of the European or national legislation and the rules for the prevention of accidents and for environmental protection applicable in your country. The data specified above only serve to describe the product. No statements concerning a certain condition or suitability for a certain application can be derived from our information. The given information does not release the user from the obligation of own judgement and verification. It must be remembered that our products are subject to a natural process of wear and aging.

©This document, as well as the data, specifications and other information set forth in it, are the exclusive property of Bosch Rexroth AG. Without their consent it may not be reproduced or given to third parties.

## Spare parts list

Bosch Rexroth AG  
Service Hydraulics  
An den Kelterwiesen 14  
72160 Horb  
Germany  
+49 (0)7451/92-1207

Part No.: R910960006  
Drawing no.: R910949927  
Designation: STROKE LIMITATION

Status of version: 5/2017

Date: 13.07.2018  
Page: 29

Pos.	Part No.	Designation	Quantity	
1	R910949926	SCREW PLUG	1 ST	
2	R910934194	HEXAGON NUT	1 ST	
3	R910101982	O-RING 6 X2 N80	1 ST	
4	R910960773	THREADED BOLT	1 ST	
5	R910946269	BACKUP RINMG	1 ST	
6	R910946307	CAP	1 ST	
7	R910401803	O-RING	1 ST	D

L = Assembly group D = Sealing element

### Security notice

Assembly, commissioning and operation, disassembly, service (including maintenance and repair) require basic mechanical/electrical/hydraulic/pneumatic knowledge, as well as knowledge of the appropriate technical terms. In order to ensure operating safety, these activities may therefore only be carried out by qualified technical personnel or an instructed person under the direction and supervision of qualified personnel. Qualified personnel are those who can recognize possible hazards and institute the appropriate safety measures due to their professional training, knowledge, and experience, as well as their understanding of the relevant conditions pertaining to the work to be done. Qualified personnel must observe the rules relevant to the subject area. Also observe the generally applicable, legal or otherwise binding regulations of the European or national legislation and the rules for the prevention of accidents and for environmental protection applicable in your country. The data specified above only serve to describe the product. No statements concerning a certain condition or suitability for a certain application can be derived from our information. The given information does not release the user from the obligation of own judgement and verification. It must be remembered that our products are subject to a natural process of wear and aging.

©This document, as well as the data, specifications and other information set forth in it, are the exclusive property of Bosch Rexroth AG. Without their consent it may not be reproduced or given to third parties.

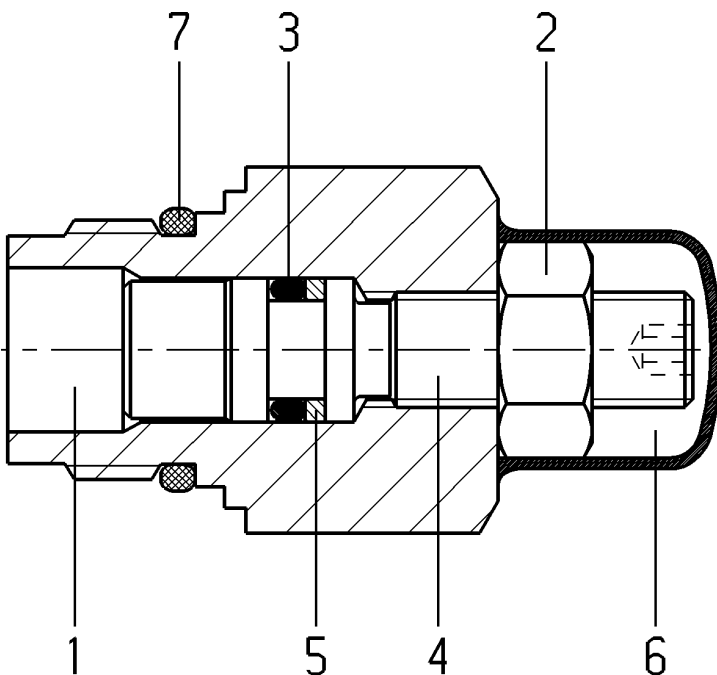
## Spare parts list

Part No.: R910960006  
Drawing no.: R910949927  
Designation: STROKE LIMITATION

Bosch Rexroth AG  
Service Hydraulics  
An den Kelterwiesen 14  
72160 Horb  
Germany  
+49 (0)7451/92-1207

Status of version: 5/2017

Date: 13.07.2018  
Page: 30



L = Assembly group    D = Sealing element

### Security notice

Assembly, commissioning and operation, disassembly, service (including maintenance and repair) require basic mechanical/electrical/hydraulic/pneumatic knowledge, as well as knowledge of the appropriate technical terms. In order to ensure operating safety, these activities may therefore only be carried out by qualified technical personnel or an instructed person under the direction and supervision of qualified personnel. Qualified personnel are those who can recognize possible hazards and institute the appropriate safety measures due to their professional training, knowledge, and experience, as well as their understanding of the relevant conditions pertaining to the work to be done. Qualified personnel must observe the rules relevant to the subject area. Also observe the generally applicable, legal or otherwise binding regulations of the European or national legislation and the rules for the prevention of accidents and for environmental protection applicable in your country. The data specified above only serve to describe the product. No statements concerning a certain condition or suitability for a certain application can be derived from our information. The given information does not release the user from the obligation of own judgement and verification. It must be remembered that our products are subject to a natural process of wear and aging.

©This document, as well as the data, specifications and other information set forth in it, are the exclusive property of Bosch Rexroth AG. Without their consent it may not be reproduced or given to third parties.

## Spare parts list

Bosch Rexroth AG  
Service Hydraulics  
An den Kelterwiesen 14  
72160 Horb  
Germany  
+49 (0)7451/92-1207

Part No.: R902448239  
Drawing no.: R902448240  
Designation: THROTTLE VALVE

Status of version: 5/2017

**Date:** 13.07.2018  
**Page:** 31

Pos.	Part No.	Designation	Quantity	
1	R902448026	THROTTLE VALVE	1 ST	
2	R910759228	O-RING	1 ST	D

L = Assembly group    D = Sealing element

### Security notice

Assembly, commissioning and operation, disassembly, service (including maintenance and repair) require basic mechanical/electrical/hydraulic/pneumatic knowledge, as well as knowledge of the appropriate technical terms. In order to ensure operating safety, these activities may therefore only be carried out by qualified technical personnel or an instructed person under the direction and supervision of qualified personnel. Qualified personnel are those who can recognize possible hazards and institute the appropriate safety measures due to their professional training, knowledge, and experience, as well as their understanding of the relevant conditions pertaining to the work to be done. Qualified personnel must observe the rules relevant to the subject area. Also observe the generally applicable, legal or otherwise binding regulations of the European or national legislation and the rules for the prevention of accidents and for environmental protection applicable in your country. The data specified above only serve to describe the product. No statements concerning a certain condition or suitability for a certain application can be derived from our information. The given information does not release the user from the obligation of own judgement and verification. It must be remembered that our products are subject to a natural process of wear and aging.

©This document, as well as the data, specifications and other information set forth in it, are the exclusive property of Bosch Rexroth AG. Without their consent it may not be reproduced or given to third parties.

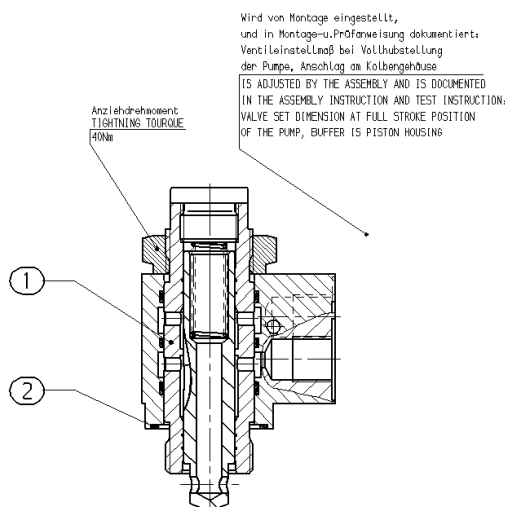
## Spare parts list

Bosch Rexroth AG  
Service Hydraulics  
An den Kelterwiesen 14  
72160 Horb  
Germany  
+49 (0)7451/92-1207

Part No.: R902448239  
Drawing no.: R902448240  
Designation: THROTTLE VALVE

Status of version: 5/2017

Date: 13.07.2018  
Page: 32



NS	Maß "a"
40	76
71	72
125/180	76
250-1000	80

L = Assembly group    D = Sealing element

### Security notice

Assembly, commissioning and operation, disassembly, service (including maintenance and repair) require basic mechanical/electrical/hydraulic/pneumatic knowledge, as well as knowledge of the appropriate technical terms. In order to ensure operating safety, these activities may therefore only be carried out by qualified technical personnel or an instructed person under the direction and supervision of qualified personnel. Qualified personnel are those who can recognize possible hazards and institute the appropriate safety measures due to their professional training, knowledge, and experience, as well as their understanding of the relevant conditions pertaining to the work to be done. Qualified personnel must observe the rules relevant to the subject area. Also observe the generally applicable, legal or otherwise binding regulations of the European or national legislation and the rules for the prevention of accidents and for environmental protection applicable in your country. The data specified above only serve to describe the product. No statements concerning a certain condition or suitability for a certain application can be derived from our information. The given information does not release the user from the obligation of own judgement and verification. It must be remembered that our products are subject to a natural process of wear and aging.

©This document, as well as the data, specifications and other information set forth in it, are the exclusive property of Bosch Rexroth AG. Without their consent it may not be reproduced or given to third parties.

## Spare parts list

Bosch Rexroth AG  
Service Hydraulics  
An den Kelterwiesen 14  
72160 Horb  
Germany  
+49 (0)7451/92-1207

Part No.: R902418895  
Drawing no.: R902418588  
Designation: PIPE WITH ACCESSORIES

Status of version: 5/2017

Date: 13.07.2018  
Page: 33

Pos.	Part No.	Designation	Quantity	
1	R902418587	TUBE WITH NUT	1 ST	L
2	R910920008	CHECK VALVE	1 ST	
3	R910948774	SPACER	2 ST	
4	R910963661	FITTING	1 ST	
5	R910723126	PLUG	1 ST	D
6	R910960554	CAP NUT	1 ST	
7	R910947703	PRESSURE RING	1 ST	

L = Assembly group    D = Sealing element

### Security notice

Assembly, commissioning and operation, disassembly, service (including maintenance and repair) require basic mechanical/electrical/hydraulic/pneumatic knowledge, as well as knowledge of the appropriate technical terms. In order to ensure operating safety, these activities may therefore only be carried out by qualified technical personnel or an instructed person under the direction and supervision of qualified personnel. Qualified personnel are those who can recognize possible hazards and institute the appropriate safety measures due to their professional training, knowledge, and experience, as well as their understanding of the relevant conditions pertaining to the work to be done. Qualified personnel must observe the rules relevant to the subject area. Also observe the generally applicable, legal or otherwise binding regulations of the European or national legislation and the rules for the prevention of accidents and for environmental protection applicable in your country. The data specified above only serve to describe the product. No statements concerning a certain condition or suitability for a certain application can be derived from our information. The given information does not release the user from the obligation of own judgement and verification. It must be remembered that our products are subject to a natural process of wear and aging.

©This document, as well as the data, specifications and other information set forth in it, are the exclusive property of Bosch Rexroth AG. Without their consent it may not be reproduced or given to third parties.

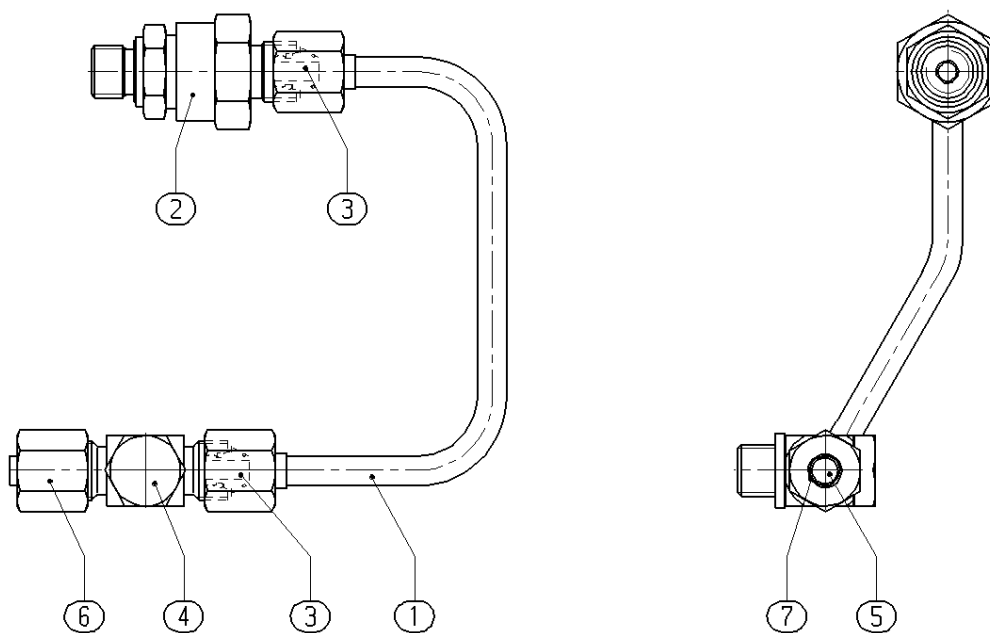
## Spare parts list

Part No.: R902418895  
 Drawing no.: R902418588  
 Designation: PIPE WITH ACCESSORIES

Bosch Rexroth AG  
 Service Hydraulics  
 An den Kelterwiesen 14  
 72160 Horb  
 Germany  
 +49 (0)7451/92-1207

Status of version: 5/2017

Date: 13.07.2018  
 Page: 34



L = Assembly group    D = Sealing element

### Security notice

Assembly, commissioning and operation, disassembly, service (including maintenance and repair) require basic mechanical/electrical/hydraulic/pneumatic knowledge, as well as knowledge of the appropriate technical terms. In order to ensure operating safety, these activities may therefore only be carried out by qualified technical personnel or an instructed person under the direction and supervision of qualified personnel. Qualified personnel are those who can recognize possible hazards and institute the appropriate safety measures due to their professional training, knowledge, and experience, as well as their understanding of the relevant conditions pertaining to the work to be done. Qualified personnel must observe the rules relevant to the subject area. Also observe the generally applicable, legal or otherwise binding regulations of the European or national legislation and the rules for the prevention of accidents and for environmental protection applicable in your country. The data specified above only serve to describe the product. No statements concerning a certain condition or suitability for a certain application can be derived from our information. The given information does not release the user from the obligation of own judgement and verification. It must be remembered that our products are subject to a natural process of wear and aging.

©This document, as well as the data, specifications and other information set forth in it, are the exclusive property of Bosch Rexroth AG. Without their consent it may not be reproduced or given to third parties.

## Spare parts list

Bosch Rexroth AG  
Service Hydraulics  
An den Kelterwiesen 14  
72160 Horb  
Germany  
+49 (0)7451/92-1207

Part No.: R902418587  
Designation: TUBE WITH NUT

Status of version: 5/2017

**Date:** 13.07.2018

**Page:** 35

Pos.	Part No.	Designation	Quantity	
1	R910934547	PIPE	212 MM	D
2	R910960554	CAP NUT	2 ST	
3	R910947703	PRESSURE RING	2 ST	

L = Assembly group    D = Sealing element

### Security notice

Assembly, commissioning and operation, disassembly, service (including maintenance and repair) require basic mechanical/electrical/hydraulic/pneumatic knowledge, as well as knowledge of the appropriate technical terms. In order to ensure operating safety, these activities may therefore only be carried out by qualified technical personnel or an instructed person under the direction and supervision of qualified personnel. Qualified personnel are those who can recognize possible hazards and institute the appropriate safety measures due to their professional training, knowledge, and experience, as well as their understanding of the relevant conditions pertaining to the work to be done. Qualified personnel must observe the rules relevant to the subject area. Also observe the generally applicable, legal or otherwise binding regulations of the European or national legislation and the rules for the prevention of accidents and for environmental protection applicable in your country. The data specified above only serve to describe the product. No statements concerning a certain condition or suitability for a certain application can be derived from our information. The given information does not release the user from the obligation of own judgement and verification. It must be remembered that our products are subject to a natural process of wear and aging.

©This document, as well as the data, specifications and other information set forth in it, are the exclusive property of Bosch Rexroth AG. Without their consent it may not be reproduced or given to third parties.

## Spare parts list

Bosch Rexroth AG  
Service Hydraulics  
An den Kelterwiesen 14  
72160 Horb  
Germany  
+49 (0)7451/92-1207

Part No.: R910984004  
Drawing no.: R910983996  
Designation: ADAPTER

Status of version: 5/2017

**Date:** 13.07.2018  
**Page:** 36

Pos.	Part No.	Designation	Quantity	
1	R910983734	ADAPTER	1 ST	
2	R910730289	SEAL RING	1 ST	D

L = Assembly group    D = Sealing element

### Security notice

Assembly, commissioning and operation, disassembly, service (including maintenance and repair) require basic mechanical/electrical/hydraulic/pneumatic knowledge, as well as knowledge of the appropriate technical terms. In order to ensure operating safety, these activities may therefore only be carried out by qualified technical personnel or an instructed person under the direction and supervision of qualified personnel. Qualified personnel are those who can recognize possible hazards and institute the appropriate safety measures due to their professional training, knowledge, and experience, as well as their understanding of the relevant conditions pertaining to the work to be done. Qualified personnel must observe the rules relevant to the subject area. Also observe the generally applicable, legal or otherwise binding regulations of the European or national legislation and the rules for the prevention of accidents and for environmental protection applicable in your country. The data specified above only serve to describe the product. No statements concerning a certain condition or suitability for a certain application can be derived from our information. The given information does not release the user from the obligation of own judgement and verification. It must be remembered that our products are subject to a natural process of wear and aging.

©This document, as well as the data, specifications and other information set forth in it, are the exclusive property of Bosch Rexroth AG. Without their consent it may not be reproduced or given to third parties.

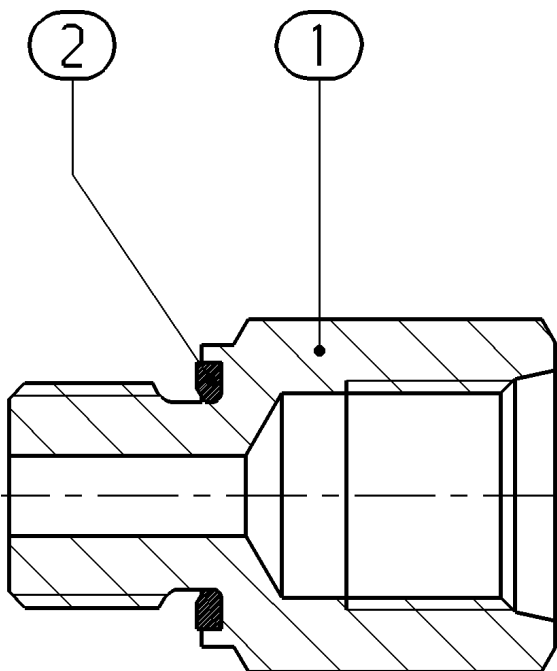
## Spare parts list

Part No.: R910984004  
Drawing no.: R910983996  
Designation: ADAPTER

Bosch Rexroth AG  
Service Hydraulics  
An den Kelterwiesen 14  
72160 Horb  
Germany  
+49 (0)7451/92-1207

Status of version: 5/2017

Date: 13.07.2018  
Page: 37



L = Assembly group    D = Sealing element

### Security notice

Assembly, commissioning and operation, disassembly, service (including maintenance and repair) require basic mechanical/electrical/hydraulic/pneumatic knowledge, as well as knowledge of the appropriate technical terms. In order to ensure operating safety, these activities may therefore only be carried out by qualified technical personnel or an instructed person under the direction and supervision of qualified personnel. Qualified personnel are those who can recognize possible hazards and institute the appropriate safety measures due to their professional training, knowledge, and experience, as well as their understanding of the relevant conditions pertaining to the work to be done. Qualified personnel must observe the rules relevant to the subject area. Also observe the generally applicable, legal or otherwise binding regulations of the European or national legislation and the rules for the prevention of accidents and for environmental protection applicable in your country. The data specified above only serve to describe the product. No statements concerning a certain condition or suitability for a certain application can be derived from our information. The given information does not release the user from the obligation of own judgement and verification. It must be remembered that our products are subject to a natural process of wear and aging.

©This document, as well as the data, specifications and other information set forth in it, are the exclusive property of Bosch Rexroth AG. Without their consent it may not be reproduced or given to third parties.